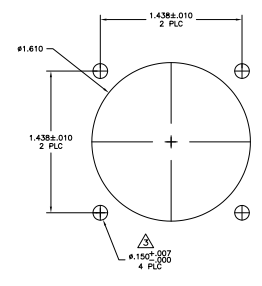
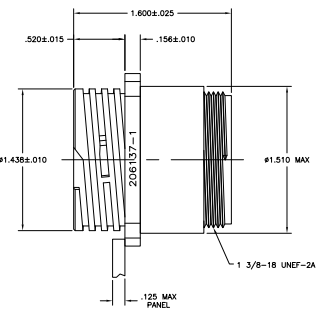
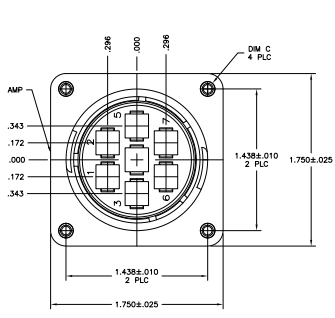


THIS DRAWING IS UNPUBLISHED
 ALL RIGHTS RESERVED

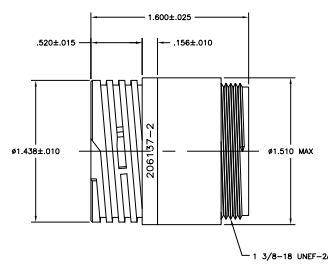
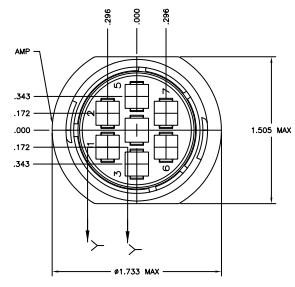
REV	DATE	DESCRIPTION	BY	APP
0				
1		REVISED PER EDD-11-004820	11MMR11	RK HMR

NOTES:
 1. CAVITY IDENTIFICATION ON FRONT AND REAR FACE.
 2. WILL ACCEPT SEVEN (7) TYPE XII PIN CONTACTS.
 ⚠ #4 FASTENER RECOMMENDED FOR MOUNTING.



DETAIL A

RECOMMENDED PANEL CUTOUT



DETAIL B

4-40 THREADED INSERTS	A	206137-5
.150±.003	B	206137-2
.150±.003	A	206137-1
DIM C	SEE DETAIL	PART NUMBER

THIS DRAWING IS A CONTROLLED DOCUMENT.		DATE	BY	APP
DESIGNED	DATE	02/07/11		
DRAWN	DATE	02/07/11		
CHECKED	DATE			
APPROVED	DATE			
MATERIAL: NIKON, BLACK		SIZE	A1	00779
FINISH: -		DATE	02/07/11	0206137
PROCESS: -		CUSTOMER DRAWING	SCALE	2:1
SHEET		1	OF	1
REV			BY	MT