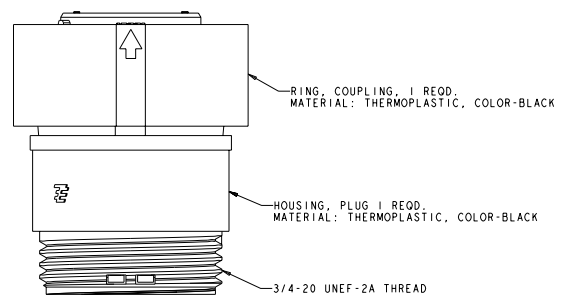
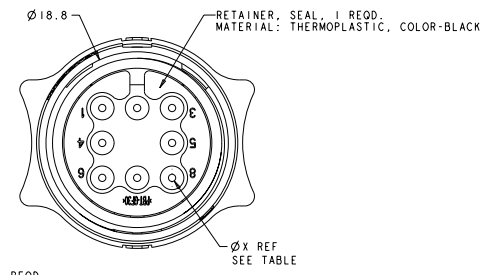
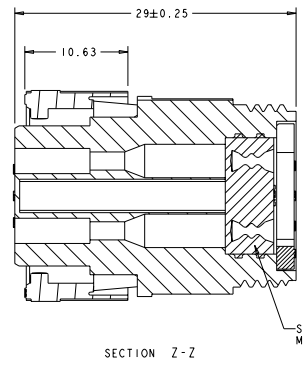
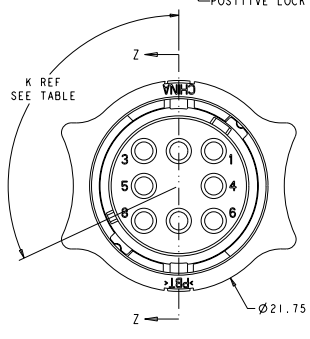
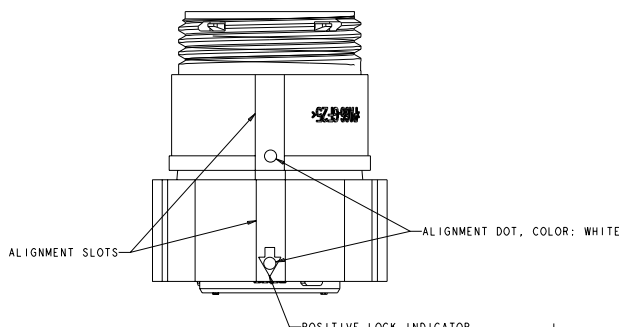


REV. NO.		DESCRIPTION	DATE	BY	CHKD.
0	1	REVISED ECO-10-014504	2007010	MMR	MG



**QUALIFICATION TEST PENDING**

SEAL, WIRE ENTRY COLOR	Ø X REF	K REF	PART NUMBER
YELLOW	Ø 0.75	135°	1445817-4
NATURAL	Ø 1.5	115°	1445817-3
NATURAL	Ø 1.5	135°	1445817-2
YELLOW	Ø 0.75	115°	1445817-1

DATE: 11/01/2007	DESIGNER: J. BLASER	DATE: 11/01/2007	SCALE: 1:1
REVISED: 11/01/2007	BY: J. BLASER	DATE: 11/01/2007	BY: J. BLASER
APP'D: J. BLASER	DATE: 11/01/2007	DATE: 11/01/2007	DATE: 11/01/2007
DATE: 11/01/2007	DATE: 11/01/2007	DATE: 11/01/2007	DATE: 11/01/2007