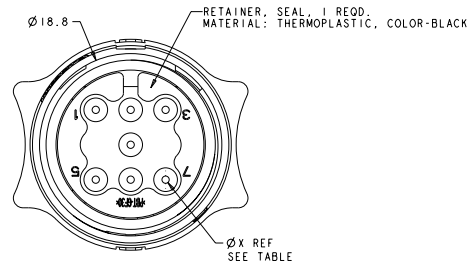
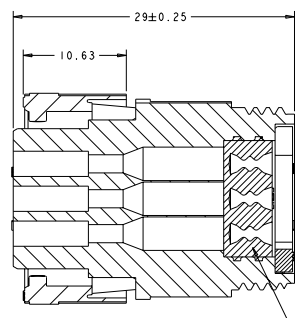
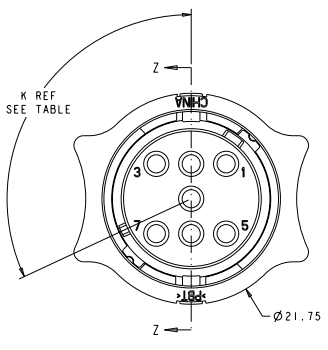
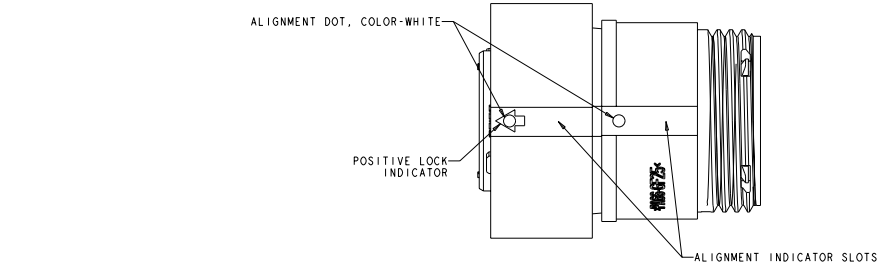
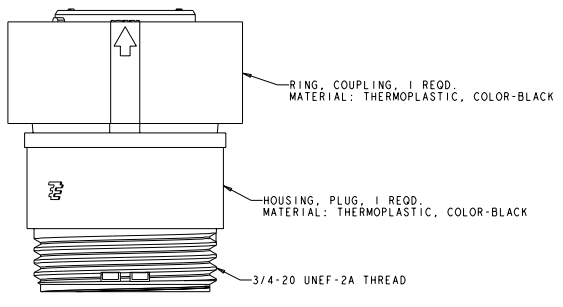


REV. NO.		REVISIONS	
FT	0	DESCRIPTION	DATE
C1		REVISED ECO-10-014504	2007010



SEAL, WIRE ENTRY, 1 REQD. MATERIAL: ELASTOMER, COLOR-SEE TABLE



QUALIFICATION TEST PENDING

SEAL, WIRE ENTRY COLOR	Ø X REF	K REF	PART NUMBER
YELLOW	Ø 0.75	135°	1445818-4
NATURAL	Ø 1.5	115°	1445818-3
NATURAL	Ø 1.5	135°	1445818-2
YELLOW	Ø 0.75	115°	1445818-1

TITLE: ASSEMBLY, PLUG, SIZE 11, 7 POSITION, SEALED, MINI CPC DRAWN BY: [blank] CHECKED BY: [blank] DATE: 13JUN2003 SCALE: [blank] SHEET NO: [blank] TOTAL SHEETS: [blank]	PART NO: 00778 REV: [blank] DATE: [blank]	TECH ELECTRONICS CORPORATION 17105-3600 HARRISBURG, PA
---	---	--