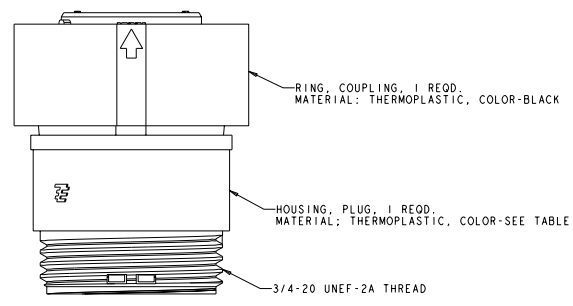
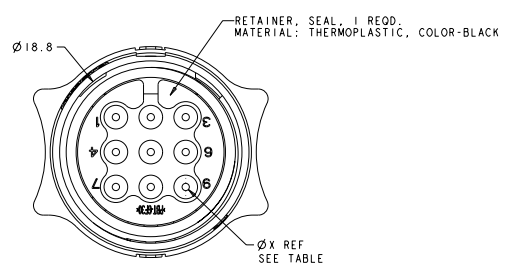
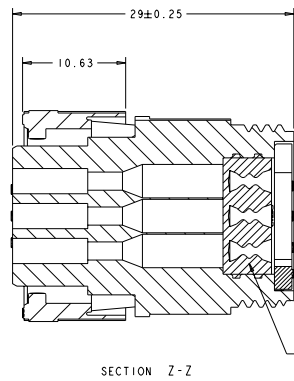
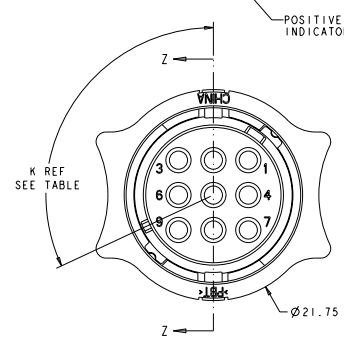
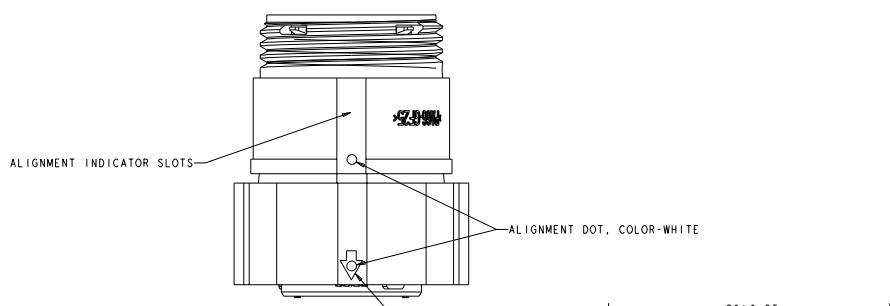


REV. NO.		REVISIONS	
FT	0	DESCRIPTION	DATE
	D2	REVISED ECO-10-014504	2007010



QUALIFICATION TEST PENDING

Ø X REF	K REF	KEYING CODE	WIRE ENTRY SEAL COLOR	HOUSING COLOR	PART NUMBER	
OBSOLETE	Ø 1.5	135°	B	NATURAL	BROWN	1445807-7
OBSOLETE	Ø 0.75	135°	B	YELLOW	RED	1445807-4
	Ø 1.5	115°	A	NATURAL	BLACK	1445807-3
OBSOLETE	Ø 1.5	135°	B	NATURAL	RED	1445807-2
	Ø 0.75	115°	A	YELLOW	BLACK	1445807-1

TECH ELECTRONICS CORPORATION 1000 N. 10TH ST. MILLSBORO, PA 19966	DATE: 11/01/07 REV: 001 BY: J. BLASER CHECKED: J. BLASER	TECH ELECTRONICS CORPORATION 1000 N. 10TH ST. MILLSBORO, PA 19966	DATE: 11/01/07 REV: 001 BY: J. BLASER CHECKED: J. BLASER
ASSEMBLY, PLUG, SIZE 11, 9 POSITION, SEALED, MINI CPC		SCALE CODE: 1:1	
CUSTOMER DRAWING		PART NUMBER: 1445807	