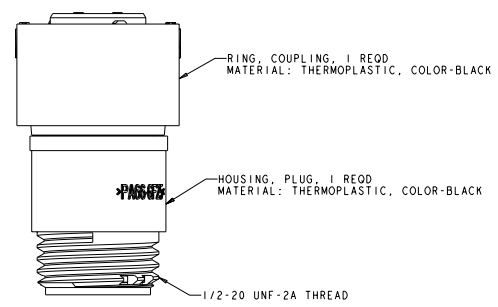
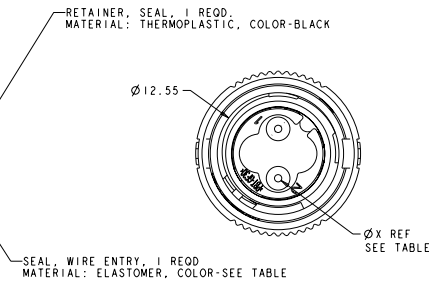
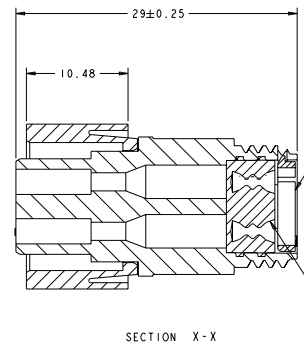
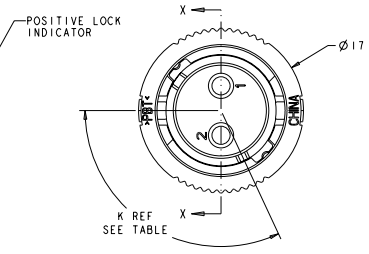
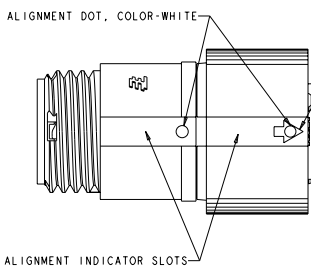


REVISED		REVISIONS			
NO.	DATE	DESCRIPTION	BY	CHK	APP
B1		REVISED PER ECO-10-014504			



QUALIFICATION TEST PENDING

SEAL, WIRE ENTRY COLOR	Ø X REF	K REF	PART NUMBER
YELLOW	Ø 0.75	130°	1445535-04
NATURAL	Ø 1.5	115°	1445535-03
NATURAL	Ø 1.5	130°	1445535-02
YELLOW	Ø 0.75	115°	1445535-01

DATE: 12/06/2015 TIME: 10:00 AM USER: [unclear] PLOT: [unclear]	DRAWING NO: 1445535-01 REV: 0 DATE: 12/06/2015 TIME: 10:00 AM USER: [unclear]	TDK ELECTRONICS Harrisburg, PA 17105-3600
CUSTOMER DRAWING	ASSEMBLY, PLUG, SIZE 8, 2 POSITION, SEALED, MINI CPC	STATE: PA COUNTY: [unclear] CITY: [unclear]