

4

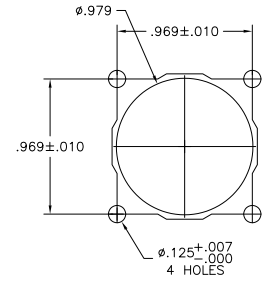
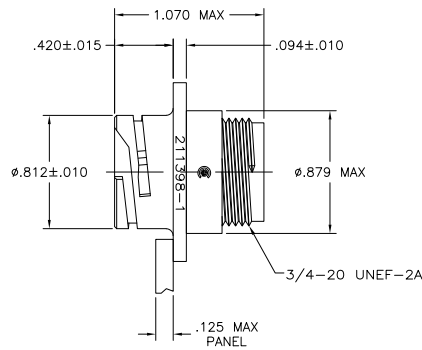
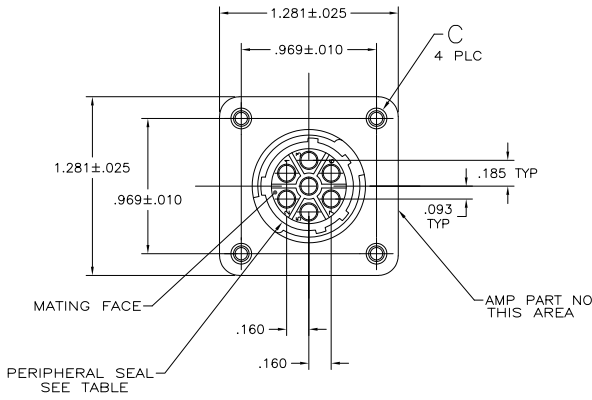
3

2

1

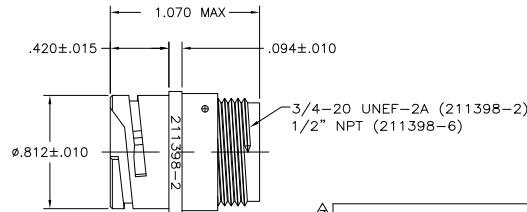
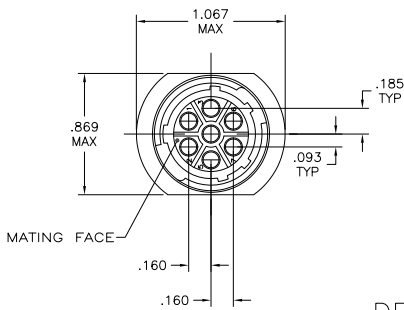
THIS DRAWING IS UNPUBLISHED. RELEASED FOR PUBLICATION  
 © COPYRIGHT - By - ALL RIGHTS RESERVED.

| LOC | DIST | REVISIONS                 |         |        |
|-----|------|---------------------------|---------|--------|
| P   | LTR  | DESCRIPTION               | DATE    | BY     |
| K1  |      | REVISED PER ECO-11-004587 | 11MAR11 | RK HMR |



RECOMMENDED PANEL CUTOUT

DETAIL A



DETAIL B

|   |                       |                 |            |             |
|---|-----------------------|-----------------|------------|-------------|
| △ | —                     | NO              | B          | 211398-6    |
| △ | 4-40 THREADED INSERTS | YES             | A          | 211398-5    |
|   | 4-40 THREADED INSERTS | NO              | A          | 211398-4    |
|   | Ø.150 ± .003          | YES             | A          | 211398-3    |
|   | —                     | NO              | B          | 211398-2    |
|   | Ø.150 ± .003          | NO              | A          | 211398-1    |
|   | C                     | PERIPHERAL SEAL | SEE DETAIL | PART NUMBER |

NOTES:

1. CAVITY IDENTIFICATION ON FRONT AND REAR FACE.
  2. WILL ACCEPT SEVEN (7) MULTIMATE SOCKET CONTACTS.
- △ PRELIMINARY PART NUMBER.

|  |  |                          |   |
|--|--|--------------------------|---|
| THIS DRAWING IS A CONTROLLED DOCUMENT. |  | DR: D. HARDY 07-27-04    | TE Connectivity                                   |
| DIMENSIONS: INCHES                     |  | CHK: S. STONE 08-10-04   |   |
| MATERIAL: NYLON, BLACK                 |  | APP: A. FRANTUM 10-03-04 | NAME: RECEPTACLE, HOUSING, REVERSE SEX, 13-7, CPC |
| FINISH: —                              |  | APPLICATION SPEC: —      | SIZE: A2  |
|  |  | WEIGHT: —                | CAGE CODE: 00779                                  |
|  |  |                          | DRAWING NO: C=211398                              |
|  |  |                          | RESTRICTED TO: —                                  |
|  |  |                          | CUSTOMER DRAWING                                  |
|  |  |                          | SCALE: 2:1 SHEET: 1 of 1 REV: K1                  |