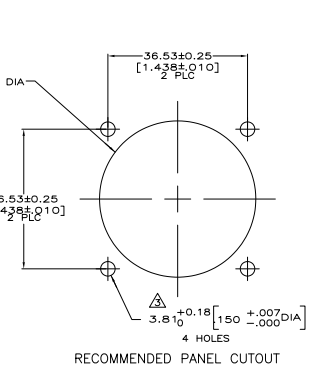
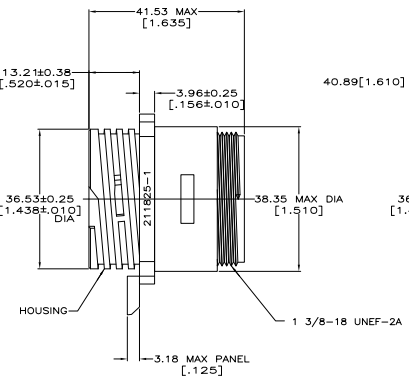
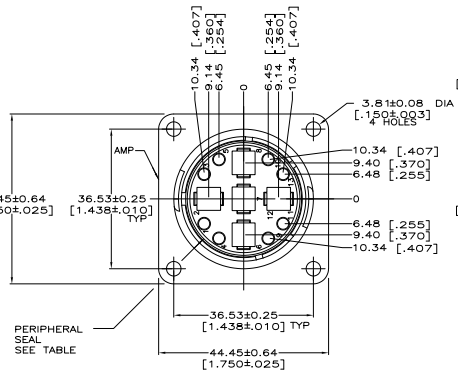
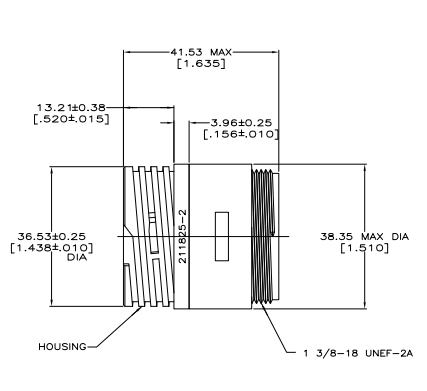
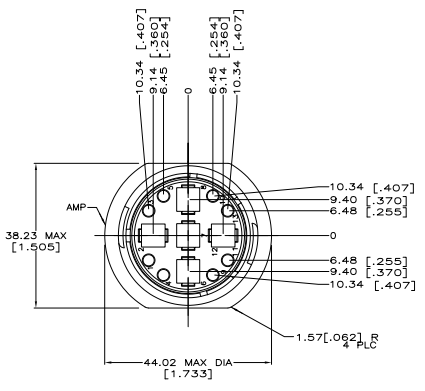


THIS DRAWING IS UNAPPROVED FOR PRODUCTION
 ALL WORK REQUIRED

REVISIONS			
REV	DATE	DESCRIPTION	BY
E2		REVISED PER ECO-11-00027	14MM11 RK HMR



DETAIL A



DETAIL B

1. WILL ACCEPT (8) MULTIMATE PINS AND (5) TYPE XII MALE CONTACTS.
 2. CAVITY IDENTIFICATION ON FRONT AND REAR FACE.
 3. NO. 4 FASTENERS RECOMMENDED FOR MOUNTING.
 4. MAX WIRE INSULATION DIAMETERS:
 MULTIMATE: 3.43 [135] MAX DIA.
 TYPE XII: 5.59 [220] MAX DIA.
 5. THIS RECEPTACLE MATES WITH PLUG ASSEMBLY 211824-1.
- ⚠️ OBSOLETE PARTS: OBSOLETE CIS STREAMLINING PER D.RENAUD/D.SINISI

⚠️ OBSOLETE	YES	A	211825-3
	NO	B	211825-2
	NO	A	211825-1
PERIPHERAL SEAL	SEE DETAIL	PART NUMBER	

THIS DRAWING IS A CONTROLLED DOCUMENT. UNLESS OTHERWISE SPECIFIED, ALL DIMENSIONS ARE IN MILLIMETERS.

DRAWING NO.	108-10024
REV	A
DATE	00779
ISSUED BY	
APPROVED BY	
DATE	
SCALE	2:1
SHEET	1
TOTAL SHEETS	1

TE Connectivity
 RECEPTACLE HOUSING, STANDARD SEX, SHELL SIZE 23, CPC

THIS DRAWING IS A CONTROLLED DOCUMENT FOR THE PROPRIETOR. IF IT IS SUBJECT TO CHANGE AND THE CONTROLLING ORGANIZATION SHOULD BE CONTACTED FOR THE LATEST REVISION.