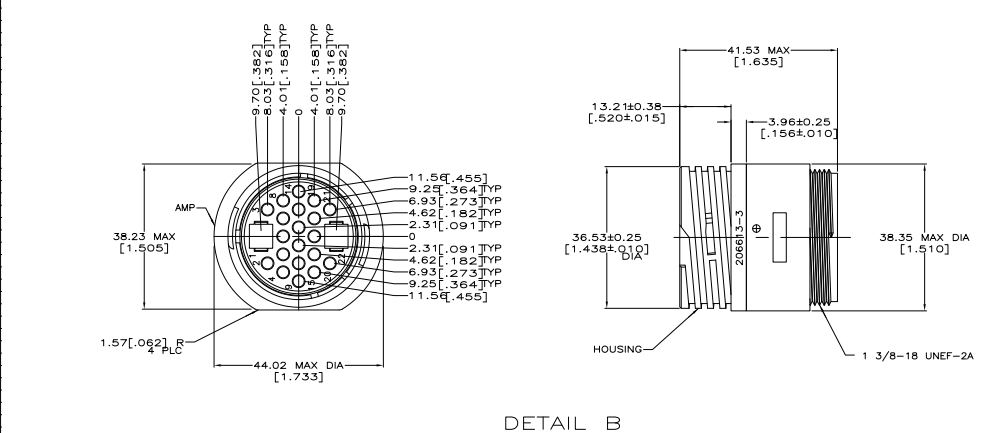


DETAIL A



DETAIL B

- WILL ACCEPT (20) MULTIMATE AND 2 TYPE XII PIN CONTACTS.
 - CAVITY IDENTIFICATION ON FRONT AND REAR FACE.
 - NUMBER 4 FASTENERS RECOMMENDED FOR MOUNTING.
- HOUSING: NYLON, BLACK. PERIPHERAL SEAL: ELASTOMER, GRAY.
 - APPLIES TO 206613-6 ONLY.
 - PERMANENT WHITE MARKED OR WHITE INK STAMPED CAVITY IDENTIFICATION.
 - HOUSING: NYLON, RED. PERIPHERAL SEAL: ELASTOMER, GRAY.
 - WHITE DOT NEAR POSITION 1 ON WIRE ENTRY FACE.

PRELIMINARY	△△	-	YES	A	1-206613-2
PRELIMINARY	△△	-	YES	A	206613-9
PRELIMINARY	△△	-	YES	A	206613-7
	△	4	NO	A	206613-6
	△	-	YES	A	206613-5
	△	-	NO	B	206613-3
	△	-	NO	A	206613-1
NOTES	THREADED INSERTS	PERIPHERAL SEAL	SEE DETAIL	PART NUMBER	

THIS DRAWING IS A CONTROLLED DOCUMENT. DATE: 05/26/21. REVISION: 4/23/21.

DESIGNER: J. BANNER. PROJECT FILE: 108-10024. PART: RECEPTACLE HOUSING, STANDARD. SIZE: SEX, SHELL SIZE 25, CPC.

DATE: 05/26/21. DRAWING NO: A100779. CUSTOMER DRAWING. SIZE: 2:1. SHEET: 1 OF 1. P2