

4

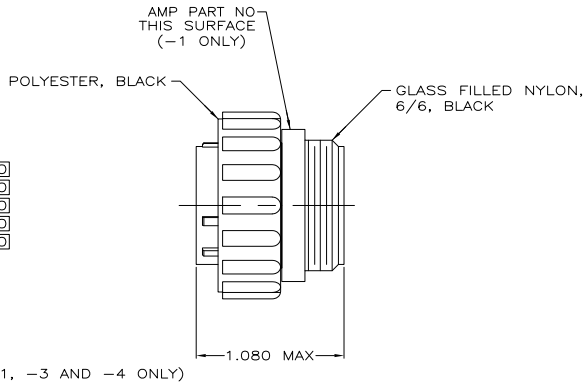
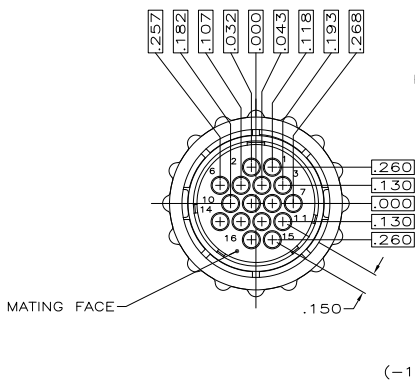
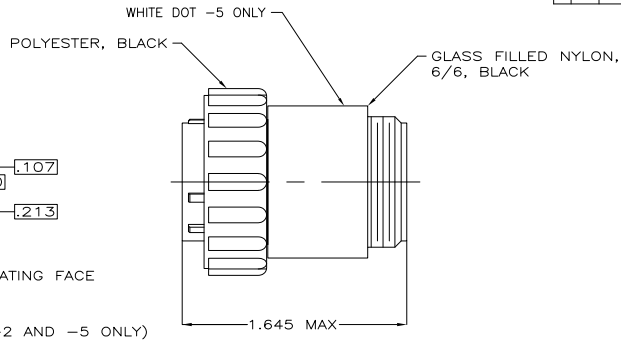
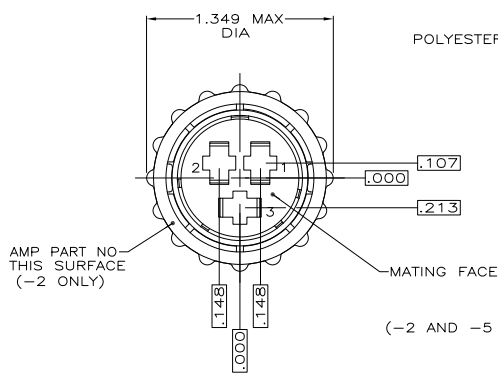
3

2

1

THIS DRAWING IS UNPUBLISHED. RELEASED FOR PUBLICATION. ALL RIGHTS RESERVED.

LOC	DIST	REVISIONS					
FT	0	P	LTR	DESCRIPTION	DATE	BY	APPD
		K1		REVISED PER ECO-11-004587	11MAR11	RK	HMR



NOTES:

- CONTACT CAVITIES IDENTIFIED BY CHARACTERS ON FRONT AND REAR FACES OF CONNECTOR.
- PART NUMBER 206037-1, -3 AND -4 WILL ACCEPT (16) MULTIMATE SOCKET CONTACTS.
- PART NUMBER 206037-2 AND -5 WILL ACCEPT (3) TYPE XII SOCKET CONTACTS.
- PRELIMINARY PART NUMBER.

4	206037-5
3	206037-4
2	206037-3
1	206037-2
0	206037-1
PART NUMBER	

DIMENSIONS:		POLYESTER, BLACK		GLASS FILLED NYLON, 6/6, BLACK	
INCHES	0.0005	0.0005	0.0005	0.0005	0.0005
MATERIAL	SEE NOTES	SEE NOTES	SEE NOTES	SEE NOTES	SEE NOTES
FINISH		FINISH		FINISH	

THIS DRAWING IS A CONTROLLED DOCUMENT.		DR: S. BRIDGLEY	8/3/90	TE Connectivity
		OK: B. STONE	04/28/91	
PRODUCT SPEC		NAME		PLUG ASSEMBLY, SHELL SIZE 17, STANDARD SEX, CPC
APPLICATION SPEC		SIZE		
WEIGHT		CAGE CODE		RESTRICTED TO
CUSTOMER DRAWING		A2 00779 C-206037		
SCALE		SHEET		REV
2:1		1 of 1		K1