

4

3

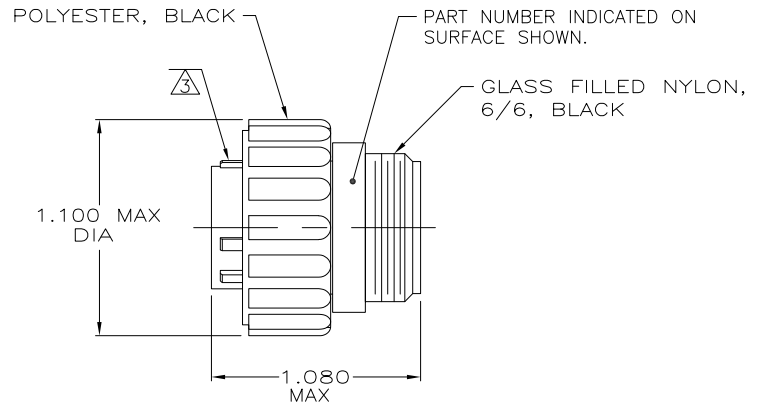
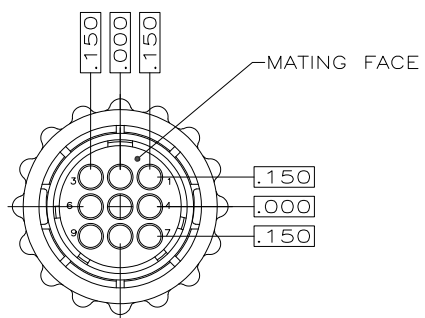
2

1

THIS DRAWING IS UNPUBLISHED. RELEASED FOR PUBLICATION
 © COPYRIGHT - By - ALL RIGHTS RESERVED.

LOC	DIST	REVISIONS					
FT	0	P	LTR	DESCRIPTION	DATE	DWN	APVD
		K1		REVISED PER ECO-11-004587	11MAR11	RK	HMR

- CONTACT CAVITIES IDENTIFIED BY CHARACTERS ON FRONT AND REAR FACES OF CONNECTOR.
 - THIS PART WILL ACCEPT MULTIMATE SOCKET CONTACTS.
- ⚠ WHITE DOT OVER MAJOR KEY.
 ⚠ PRELIMINARY PART NUMBER.



NOTES	PACKAGING	PART NUMBER
⚠	STANDARD	206708-3
-	SMALL PACK	206708-2
-	STANDARD	206708-1

THIS DRAWING IS A CONTROLLED DOCUMENT.

DIMENSIONS:	TOLERANCES UNLESS OTHERWISE SPECIFIED:	DWN	S.RIDGLEY	BG	7/31/80
INCHES		CHK	R.STONE	BG	4-26-91
0 PLC	± -	APVD			
1 PLC	± -	NAME	TE Connectivity		
2 PLC	± -	PRODUCT SPEC	PLUG ASSEMBLY, SHELL SIZE 13, STANDARD SEX, SERIES 1, CPC		
3 PLC	± -	APPLICATION SPEC			
4 PLC	± -	SIZE	A3	CAGE CODE	00779
ANGLES	± -	DRAWING NO	C-206708		RESTRICTED TO
MATERIAL	FINISH	WEIGHT	CUSTOMER DRAWING		
			SCALE	2:1	SHEET 1 OF 1
					REV K1