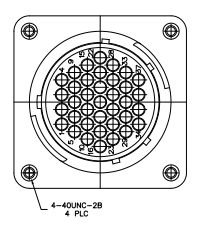
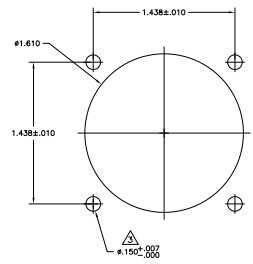
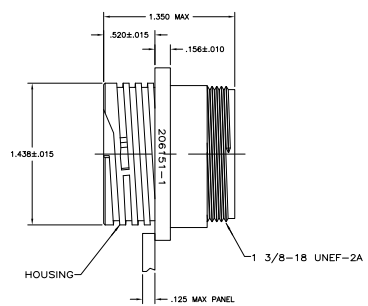
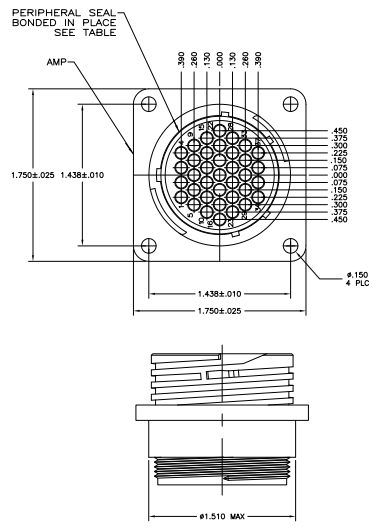


THIS DRAWING IS UNPUBLISHED
 ALL RIGHTS RESERVED

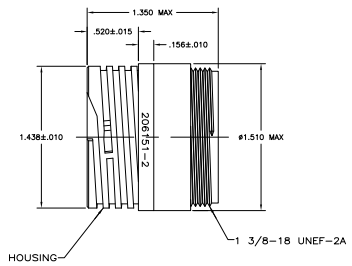
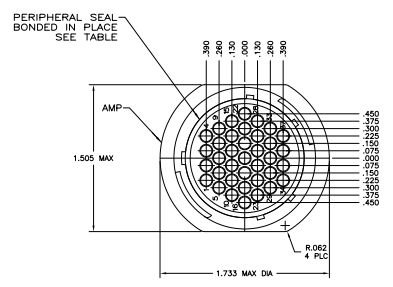
REV	DATE	DESCRIPTION	BY	CHK	APP
0	11/11/11	REVISED PER EDD-11-004587	LM	RK	HMR



DETAIL A

RECOMMENDED PANEL CUTOUT

DETAIL C
206151-6 ONLY



DETAIL B

1. CAVITY IDENTIFICATION ON FRONT AND REAR FACE.
 2. WILL ACCEPT THIRTY-SEVEN (37) MULTIMATE PIN CONTACTS.
- ⚠ NO 4 FASTENER RECOMMENDED FOR MOUNTING.
 - ⚠ WHITE DOT NEAR POSITION 1 ON WIRE ENTRY FACE.
 - ⚠ OBSOLETE PARTS: OBSOLETE CIS STREAMLINER PER D.RENAUD/D.SINISI

	STANDARD	YES	A	206151-8
PRELIMINARY	STANDARD	NO	A & C	206151-6
OBSOLETE	SMALL PACK	NO	A	206151-5
	STANDARD	YES	B	206151-4
	STANDARD	YES	A	206151-3
	STANDARD	NO	B	206151-2
	STANDARD	NO	A	206151-1
	PACKAGING	PERIPHERAL SEAL	SEE DETAIL	PART NUMBER

THIS DRAWING IS A CONTROLLED DOCUMENT		BY: SCHLEZEL	DATE: 08/09/03	TE TE Connectivity
DRAWING NUMBER: 206151-6		BY: ERANILM	DATE: 07/16/03	
REVISIONS:	1. REV. 1.0	2. REV. 1.1	3. REV. 1.2	RECEPTACLE HOUSING, STANDARD
				SEX, SHELL SIZE 23, CPC
				REVISIONS:
				SIZE: A1
				DATE: 00779
				Q=206151
				REVISIONS:
				SIZE: 2:1
				SHEET: 1
				TOTAL: 13

488 (2/11)