

4

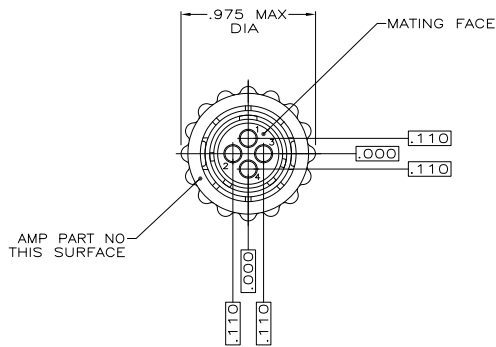
3

2

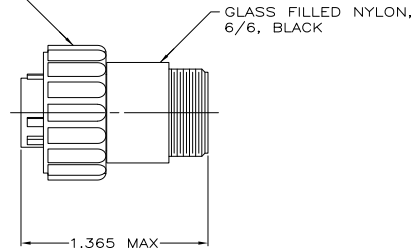
1

THIS DRAWING IS UNPUBLISHED. RELEASED FOR PUBLICATION  
 © COPYRIGHT - By - ALL RIGHTS RESERVED.

LOC	DIST	REVISIONS		
P	LTR	DESCRIPTION	DATE	BY
FT	0			
	D3	REVISED PER ECO-11-004587	11MAR11	RK HMR



COUPLING RING  
 MATERIAL: SEE TABLE



- CONTACT CAVITIES IDENTIFIED BY CHARACTERS ON FRONT AND REAR FACES OF CONNECTOR.
- THIS CONNECTOR WILL ACCEPT FOUR (4) MULTIMATE PIN CONTACTS.
- 3** OBSOLETE PARTS: OBSOLETE CIS STREAMLINING PER D.RENAUD/D.SINISI

<b>3</b> OBSOLETE	DIE CAST ZINC	206429-2
	POLYESTER, BLACK	206429-1
	COUPLING RING MATERIAL	PART NUMBER

THIS DRAWING IS A CONTROLLED DOCUMENT.		DR: S. BRIDGLEY BC 8/2/90																						
DIMENSIONS: INCHES		OK: B. STONE 04/28/91																						
<table border="1"> <tr> <th>PLC</th> <th>±</th> <th>—</th> </tr> <tr> <td>0</td> <td>—</td> <td>—</td> </tr> <tr> <td>1</td> <td>—</td> <td>—</td> </tr> <tr> <td>2</td> <td>—</td> <td>—</td> </tr> <tr> <td>3</td> <td>—</td> <td>—</td> </tr> <tr> <td>4</td> <td>—</td> <td>—</td> </tr> <tr> <td>ANGLES</td> <td>±</td> <td>—</td> </tr> </table>		PLC	±	—	0	—	—	1	—	—	2	—	—	3	—	—	4	—	—	ANGLES	±	—	NAME: —	PLUG ASSEMBLY, SHELL SIZE 11, REVERSE SEX, SERIES 1, CPC
PLC	±	—																						
0	—	—																						
1	—	—																						
2	—	—																						
3	—	—																						
4	—	—																						
ANGLES	±	—																						
MATERIAL: —		PRODUCT SPEC: —	RESTRICTED TO: —																					
FINISH: —		APPLICATION SPEC: —	SIZE: A2																					
		WEIGHT: —	CAGE CODE: 00779																					
		CUSTOMER DRAWING		SCALE: 2:1																				
				SHEET: 1 of 1																				
				REV: D3																				

1471-9 (3/11)

206429

B

A