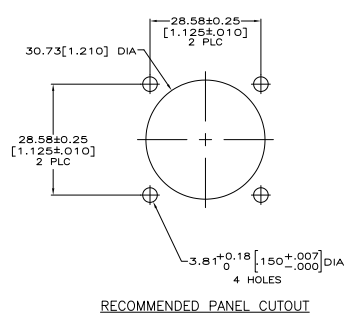
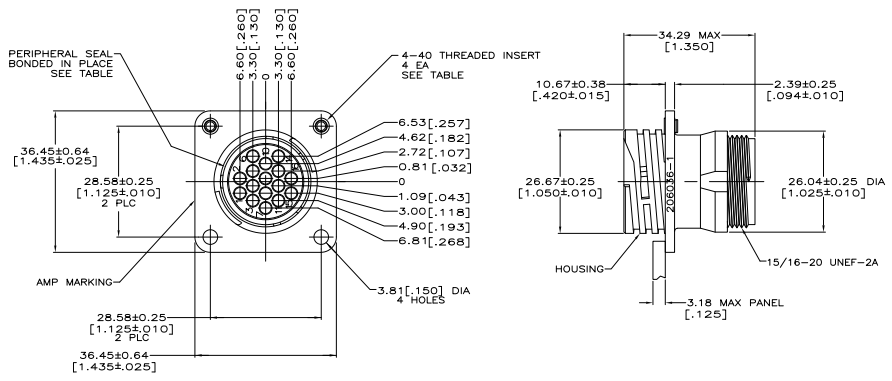


REV	DATE	DESCRIPTION	BY	CHK	APP
R2		REVISED PER EDD-11-004587	11MM11	RK	HMR

- △ HOUSING: NYLON, BLACK.
PERIPHERAL SEAL: ELASTOMER, GRAY.
THREADED INSERTS: BRASS.
- 2. CAVITY IDENTIFICATION ON FRONT AND REAR FACE.
- 3. WILL ACCEPT (16) MULTIMATE PIN CONTACTS.
- △ HOUSING: NYLON, BLUE.
PERIPHERAL SEAL: ELASTOMER, GRAY.
THREADED INSERTS: BRASS.
- △ OBSOLETE PARTS: OBSOLETE CIS STREAMLINING PER D.RENAUD/D.SINISI



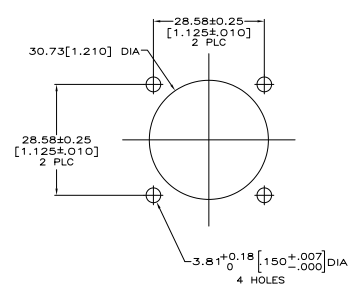
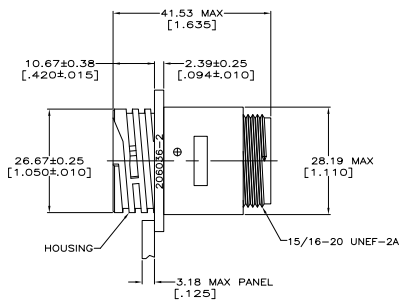
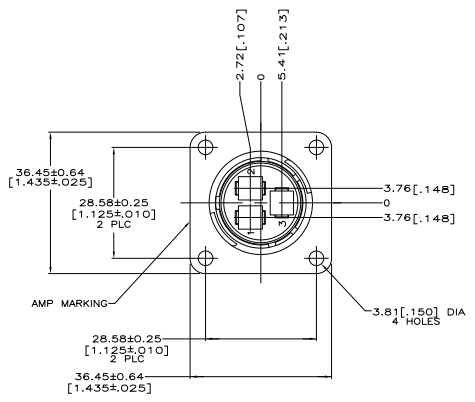
OBsolete	STANDARD	NO	YES	206036-9
△	STANDARD	YES	NO	206036-8
△	SMALL PACK	NO	NO	206036-7
△	STANDARD	NO	YES	206036-4
△	STANDARD	NO	NO	206036-1
MATERIAL	PACKAGING	4-40 THREADED INSERTS	PERIPHERAL SEAL	PART NUMBER

THIS DRAWING IS A CONTROLLED DOCUMENT.		REV. 0	DATE 07/07/02
UNLESS OTHERWISE SPECIFIED:	UNIT: MILLIMETER	SCALE: 1:1	DATE: 11/18/02
STANDARD: MIL-STD-883C	MATERIAL: FRAMULUM	REV. 0	DATE: 11/18/02
FINISH: POLISHED	REV. 0	DATE: 11/18/02	108-10024
REVISIONS:	REV. 0	DATE: 11/18/02	108-10024
REV. 1	DATE: 11/18/02	108-10024	108-10024
REV. 2	DATE: 11/18/02	108-10024	108-10024
REV. 3	DATE: 11/18/02	108-10024	108-10024
REV. 4	DATE: 11/18/02	108-10024	108-10024
REV. 5	DATE: 11/18/02	108-10024	108-10024
REV. 6	DATE: 11/18/02	108-10024	108-10024
REV. 7	DATE: 11/18/02	108-10024	108-10024
REV. 8	DATE: 11/18/02	108-10024	108-10024
REV. 9	DATE: 11/18/02	108-10024	108-10024
REV. 10	DATE: 11/18/02	108-10024	108-10024
REV. 11	DATE: 11/18/02	108-10024	108-10024
REV. 12	DATE: 11/18/02	108-10024	108-10024
REV. 13	DATE: 11/18/02	108-10024	108-10024
REV. 14	DATE: 11/18/02	108-10024	108-10024
REV. 15	DATE: 11/18/02	108-10024	108-10024
REV. 16	DATE: 11/18/02	108-10024	108-10024
REV. 17	DATE: 11/18/02	108-10024	108-10024
REV. 18	DATE: 11/18/02	108-10024	108-10024
REV. 19	DATE: 11/18/02	108-10024	108-10024
REV. 20	DATE: 11/18/02	108-10024	108-10024
REV. 21	DATE: 11/18/02	108-10024	108-10024
REV. 22	DATE: 11/18/02	108-10024	108-10024
REV. 23	DATE: 11/18/02	108-10024	108-10024
REV. 24	DATE: 11/18/02	108-10024	108-10024
REV. 25	DATE: 11/18/02	108-10024	108-10024
REV. 26	DATE: 11/18/02	108-10024	108-10024
REV. 27	DATE: 11/18/02	108-10024	108-10024
REV. 28	DATE: 11/18/02	108-10024	108-10024
REV. 29	DATE: 11/18/02	108-10024	108-10024
REV. 30	DATE: 11/18/02	108-10024	108-10024
REV. 31	DATE: 11/18/02	108-10024	108-10024
REV. 32	DATE: 11/18/02	108-10024	108-10024
REV. 33	DATE: 11/18/02	108-10024	108-10024
REV. 34	DATE: 11/18/02	108-10024	108-10024
REV. 35	DATE: 11/18/02	108-10024	108-10024
REV. 36	DATE: 11/18/02	108-10024	108-10024
REV. 37	DATE: 11/18/02	108-10024	108-10024
REV. 38	DATE: 11/18/02	108-10024	108-10024
REV. 39	DATE: 11/18/02	108-10024	108-10024
REV. 40	DATE: 11/18/02	108-10024	108-10024
REV. 41	DATE: 11/18/02	108-10024	108-10024
REV. 42	DATE: 11/18/02	108-10024	108-10024
REV. 43	DATE: 11/18/02	108-10024	108-10024
REV. 44	DATE: 11/18/02	108-10024	108-10024
REV. 45	DATE: 11/18/02	108-10024	108-10024
REV. 46	DATE: 11/18/02	108-10024	108-10024
REV. 47	DATE: 11/18/02	108-10024	108-10024
REV. 48	DATE: 11/18/02	108-10024	108-10024
REV. 49	DATE: 11/18/02	108-10024	108-10024
REV. 50	DATE: 11/18/02	108-10024	108-10024
REV. 51	DATE: 11/18/02	108-10024	108-10024
REV. 52	DATE: 11/18/02	108-10024	108-10024
REV. 53	DATE: 11/18/02	108-10024	108-10024
REV. 54	DATE: 11/18/02	108-10024	108-10024
REV. 55	DATE: 11/18/02	108-10024	108-10024
REV. 56	DATE: 11/18/02	108-10024	108-10024
REV. 57	DATE: 11/18/02	108-10024	108-10024
REV. 58	DATE: 11/18/02	108-10024	108-10024
REV. 59	DATE: 11/18/02	108-10024	108-10024
REV. 60	DATE: 11/18/02	108-10024	108-10024
REV. 61	DATE: 11/18/02	108-10024	108-10024
REV. 62	DATE: 11/18/02	108-10024	108-10024
REV. 63	DATE: 11/18/02	108-10024	108-10024
REV. 64	DATE: 11/18/02	108-10024	108-10024
REV. 65	DATE: 11/18/02	108-10024	108-10024
REV. 66	DATE: 11/18/02	108-10024	108-10024
REV. 67	DATE: 11/18/02	108-10024	108-10024
REV. 68	DATE: 11/18/02	108-10024	108-10024
REV. 69	DATE: 11/18/02	108-10024	108-10024
REV. 70	DATE: 11/18/02	108-10024	108-10024
REV. 71	DATE: 11/18/02	108-10024	108-10024
REV. 72	DATE: 11/18/02	108-10024	108-10024
REV. 73	DATE: 11/18/02	108-10024	108-10024
REV. 74	DATE: 11/18/02	108-10024	108-10024
REV. 75	DATE: 11/18/02	108-10024	108-10024
REV. 76	DATE: 11/18/02	108-10024	108-10024
REV. 77	DATE: 11/18/02	108-10024	108-10024
REV. 78	DATE: 11/18/02	108-10024	108-10024
REV. 79	DATE: 11/18/02	108-10024	108-10024
REV. 80	DATE: 11/18/02	108-10024	108-10024
REV. 81	DATE: 11/18/02	108-10024	108-10024
REV. 82	DATE: 11/18/02	108-10024	108-10024
REV. 83	DATE: 11/18/02	108-10024	108-10024
REV. 84	DATE: 11/18/02	108-10024	108-10024
REV. 85	DATE: 11/18/02	108-10024	108-10024
REV. 86	DATE: 11/18/02	108-10024	108-10024
REV. 87	DATE: 11/18/02	108-10024	108-10024
REV. 88	DATE: 11/18/02	108-10024	108-10024
REV. 89	DATE: 11/18/02	108-10024	108-10024
REV. 90	DATE: 11/18/02	108-10024	108-10024
REV. 91	DATE: 11/18/02	108-10024	108-10024
REV. 92	DATE: 11/18/02	108-10024	108-10024
REV. 93	DATE: 11/18/02	108-10024	108-10024
REV. 94	DATE: 11/18/02	108-10024	108-10024
REV. 95	DATE: 11/18/02	108-10024	108-10024
REV. 96	DATE: 11/18/02	108-10024	108-10024
REV. 97	DATE: 11/18/02	108-10024	108-10024
REV. 98	DATE: 11/18/02	108-10024	108-10024
REV. 99	DATE: 11/18/02	108-10024	108-10024
REV. 100	DATE: 11/18/02	108-10024	108-10024

THIS DRAWING IS UNPUBLISHED
 ALL RIGHTS RESERVED

REV	DATE	DESCRIPTION	BY	APP
0		SEE SHEET 1		

- NOTES:
1. CAVITY IDENTIFICATION ON FRONT AND REAR FACE.
 2. WILL ACCEPT (3) TYPE XII PIN CONTACTS.
- △ HOUSING: NYLON, BLACK.
 PERIPHERAL SEAL: ELASTOMER, GRAY.



△	206036-2
MATERIAL	PART NUMBER

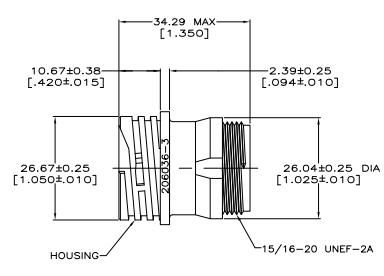
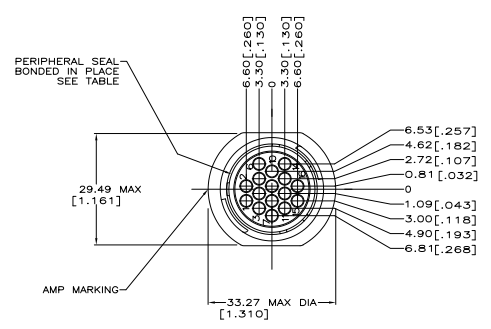
THIS DRAWING IS A CONTROLLED DOCUMENT.		REV	DATE	BY	APP
DRAWING NO.		REV	DATE	BY	APP
DRAWING TITLE		REV	DATE	BY	APP
DRAWING SCALE		REV	DATE	BY	APP
DRAWING SHEET		REV	DATE	BY	APP
DRAWING PART		REV	DATE	BY	APP
DRAWING PROJECT		REV	DATE	BY	APP
DRAWING CUSTOMER DRAWING		REV	DATE	BY	APP

TE Connectivity	RECEPTACLE HOUSING, STD SEX, SHELL SIZE 17, CPC
108-10024	100779
2:1	2 3 R2

THIS DRAWING IS UNPUBLISHED
 ALL RIGHTS RESERVED

REV	DATE	DESCRIPTION	BY	APP'D
0		SEE SHEET 1		

- NOTES:**
1. CAVITY IDENTIFICATION ON FRONT AND REAR FACE.
 2. WILL ACCEPT (16) MULTIMATE PIN CONTACTS.
- ⚠ HOUSING: NYLON, BLACK.
 PERIPHERAL SEAL: ELASTOMER, GRAY.
- ⚠ HOUSING: POLYESTER, PBT, BLACK.
 PERIPHERAL SEAL: ELASTOMER, GRAY.



OBsolete		YES	NO	1-206036-3
△		YES	NO	206036-5
△		NO	YES	206036-3

MATERIAL	PERIPHERAL SEAL	PART NUMBER

THIS DRAWING IS A CONTROLLED DOCUMENT: **TE** GELTZ 07-27-83
 STONE 1-28-83
 FRANKLIN 8-18-83

TE Connectivity

RECEPTACLE HOUSING, STD SEX, SHELL SIZE 17, CPC

108-10024

SIZE DATE SIZE DRAWING NO. REV. REWORKED TO

A1 00779 G=206036

CUSTOMER DRAWING

SHEET 2:1 OF 3