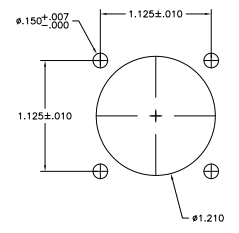
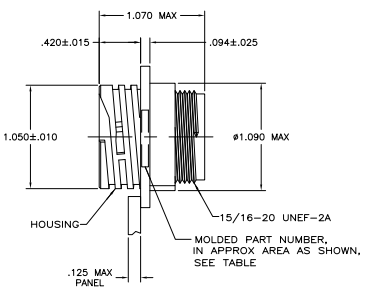
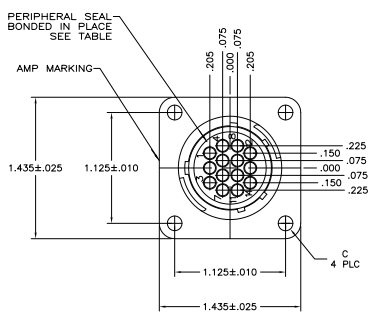


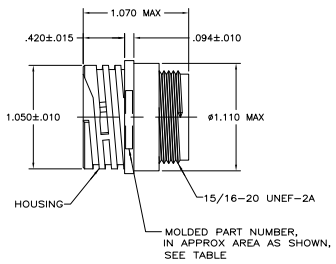
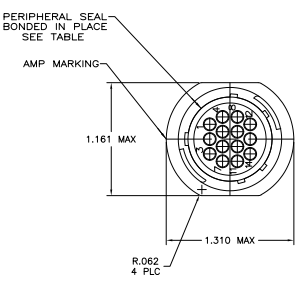
THIS DRAWING IS UNPUBLISHED
 ALL RIGHTS RESERVED

REV	DATE	DESCRIPTION	BY	APP
R2		REVISED PER ECD-11-004587	11MMH11	RK HMR



DETAIL A

RECOMMENDED PANEL CUTOUT



DETAIL B

- NOTES:
1. CAVITY IDENTIFICATION ON FRONT AND REAR FACE.
 2. WILL ACCEPT FOURTEEN (14) MULTIMATE SOCKET CONTACTS.
- ⚠ PRELIMINARY PART NUMBER.
- ⚠ OBSOLETE PARTS: OBSOLETE CIS STREAMLINING PER D.RENAUD/D.SINISI

DESCRIPTION	STANDARD	PERIPHERAL SEAL	SEE DETAIL	PART NO.
4-40 THREADED INSERTS	STANDARD	YES	A	206043-8
φ.150	SMALL PACK	NO	A	206043-6
—	STANDARD	YES	B	206043-5
φ.150	STANDARD	YES	A	206043-4
—	STANDARD	NO	B	206043-3
φ.150	STANDARD	NO	A	206043-1

THIS DRAWING IS A CONTROLLED DOCUMENT.

TE Connectivity
 RECEPTACLE ASSEMBLY, REVERSE
 SEX, SERIES 1, 17-14, CPC

DATE: 108-10024
 DRAWING NO: A100779
 CUSTOMER DRAWING

REV: 2:1 SHEET 1 OF 1