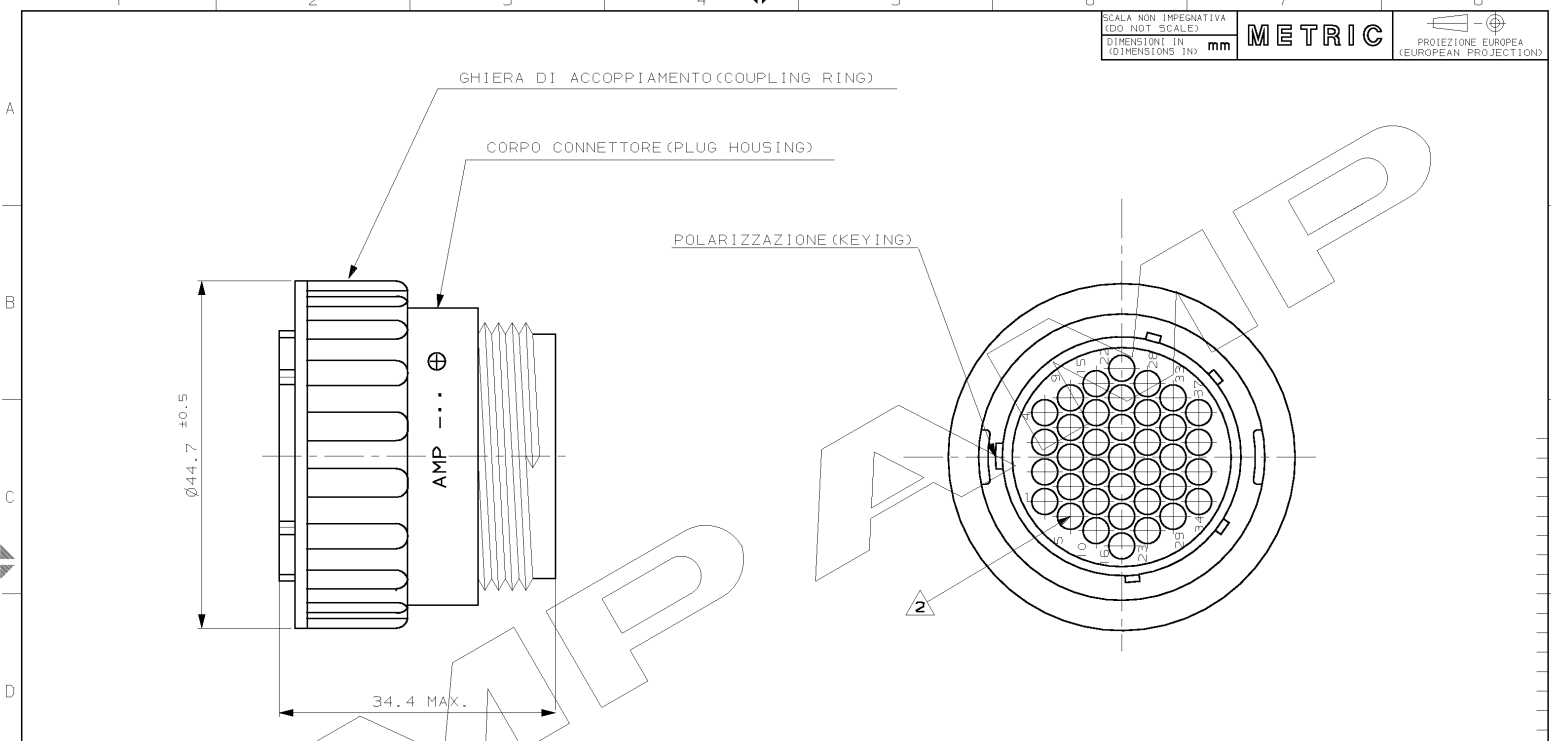


1 2 3 4 5 6 7 8

SCALA NON IMPERATIVA (DO NOT SCALE)
DIMENSIONI IN (DIMENSIONS IN) mm METRIC PROIEZIONE EUROPEA (EUROPEAN PROJECTION)



NOTE (NOTES)

1. MATERIALE (MATL.): TERMOPLASTICO COLORE NERO (THERMOPLASTIC, BLACK COLOR).
2. OGNI CAVITÀ E' IDENTIFICATA DAL NUMERO POSTO SIA SUL FRONTE CHE SUL RETRO DEL CONNETTORE. (CONTACT CAVITIES IDENTIFIED BY CHARACTERS) (ON FRONT AND REAR FACES OF CONNECTOR.)
3. QUESTO CONNETTORE E' APPROVATO CON FILE N.E28476 E CERTIFICATO CON FILE N.LR7189A-259 (THIS CONNECTOR IS RECOGNIZED BY FILE N.E28476 AND CERTIFIED BY FILE N.LR7189A-259)

IL DISEGNO INDICA IL P.N. 182926-1 (P.N. 182926-1 AS SHOWN)

		CUSTOMER DRAWING FOR REFERENCE ONLY		DISEGNO PER CLIENTE SOLO PER RIFERIMENTO			
		THIS DRAWING IS UNPUBLISHED		RELEASE FOR PUBLICATION 19			
		© COPYRIGHT 19 BY AMP INCORPORATED, HARRISBURG, PA. ALL INTERNATIONAL RIGHT RESERVED. AMP PRODUCTS MAY BE COVERED BY U.S. AND FOREIGN PATENT AND/OR PATENT PENDING					
		TOLLERANZE: SE NON DIVERSAMENTE SPECIFICATO (TOLERANCES: UNLESS OTHERWISE SPECIFIED)		DIAM. ISOLANTE (INS. DIA. RANGE) RANGE FILE (WIRE RANGE) SCALE (SCALE)			
		± 0.3		-			
		ANGOLI (ANGLES) ± 2°		AMP AMP ITALIA S.p.A. Corso F.lli. Capri, 15 COLLENO (TORINO)			
B2	UPDATED PRODUCT DESCRIPTION FOR ET00-0123-92	D.C.	22 JUNE 91	DESCRIZIONE (DESCRIPTION) C.P.C. PLUG ASS'Y FOR PIN CONTACTS, SIZE 23-37, REV. 5EX			
B1	REVISED ET00-0123-99	S.S.	C. CORDOLA				
B	REVISED PER ECN I-3230	C.C.	05-MAY 1993				
A	RELEASED	S.C.	C. MARTINS				
REV. (REV.)	REVISIONI (REVISION RECORD)	DIS. DATA (DRG. DATE)	APP. (APP.)	LOC. SIZE (LOC. NO)	NUMERO (DWG NO)	REV. (REV.)	FOGLIO (SHEET)
				I A	C - 182926	B2	1 OF 1

DISTRIBUZIONE (PRINT DIST.)

AMP-11-7522-1-982 1 2 3 4 5 6 7 8