

4

3

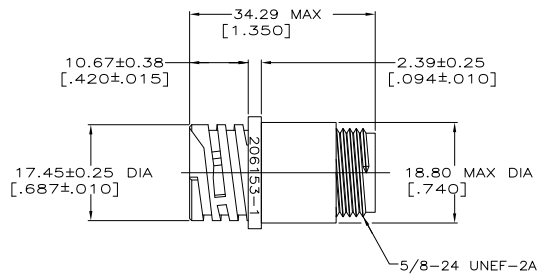
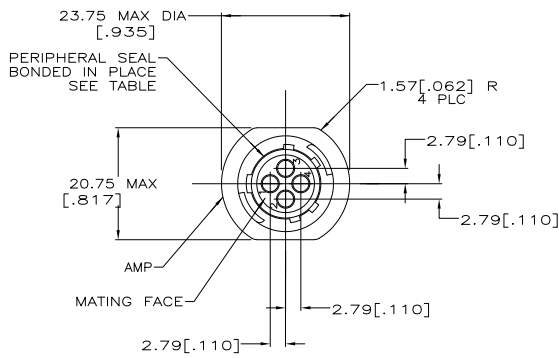
MOO

2

1

THIS DRAWING IS UNPUBLISHED. RELEASED FOR PUBLICATION
 © COPYRIGHT - By - ALL RIGHTS RESERVED.

LOC		DIBT		REVISIONS			
P	LR	DESCRIPTION	DATE	BY	APPD		
G1		REVISED PER ECO-11-004587	11MAR11	RK	HMR		



1. CAVITY IDENTIFICATION ON FRONT AND REAR FACE.
2. RECEPTACLE WILL ACCEPT FOUR (4) MULTIMATE PIN CONTACTS.

YES	206153-2
NO	206153-1
PERIPHERAL SEAL	PART NO

THIS DRAWING IS A CONTROLLED DOCUMENT.		DN	D. HARDY	05/18/04
		CHK	S. STONE	05/20/04
		APPD	A. FRANTUM	07/12/04
DIMENSIONS: MM(INCHES)		PRODUCT SPEC	108-10024	
0 PLC # - 1 PLC # - 2 PLC # - 3 PLC # - 4 PLC # - ANGLES # -		APPLICATION SPEC	-	
MATERIAL		WEIGHT	-	
NYLON, BLACK		FINISH	-	
THIS DRAWING IS A CONTROLLED DOCUMENT FOR AMP INCORPORATED. IT IS SUBJECT TO CHANGE AND THE CONTROLLING ENGINEERING ORGANIZATION SHOULD BE CONTACTED FOR THE LATEST REVISION.		CUSTOMER DRAWING	SIZE	A2
			CAGE CODE	00779
			DRAWING NO	206153
			RESTRICTED TO	-
			SCALE	2:1
			SHEET	1 of 1
			REV	G1

1471-9 (3/11)

206153

A