

4

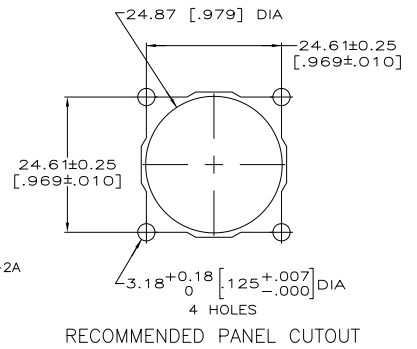
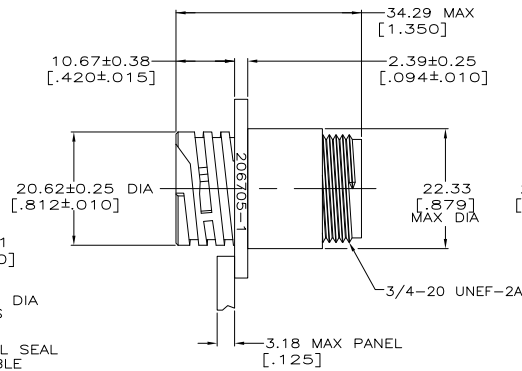
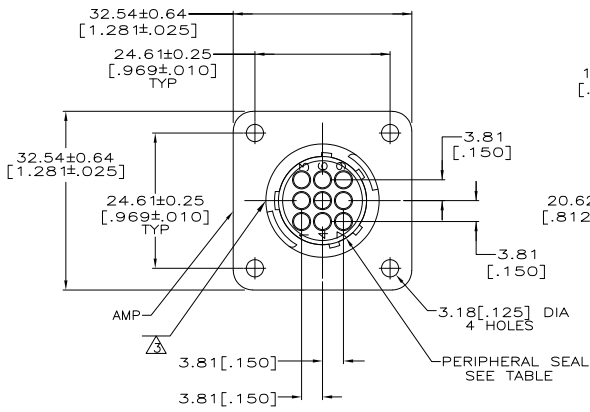
3

2

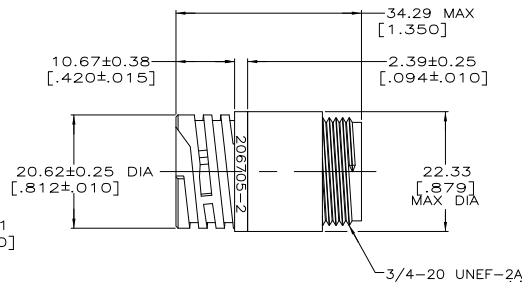
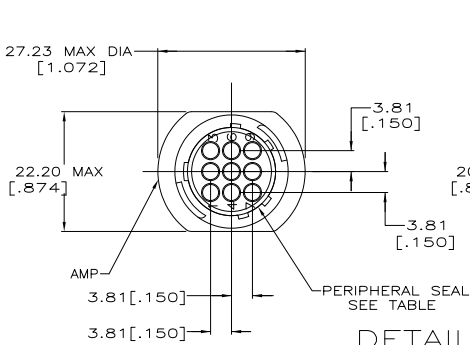
1

THIS DRAWING IS UNPUBLISHED. RELEASED FOR PUBLICATION  
 © COPYRIGHT - By - ALL RIGHTS RESERVED.

LOC		DIBT		REVISIONS			
FT	0	P	LTR	DESCRIPTION	DATE	BY	APPD
		L1		REVISED PER ECO-11-004587	11MAR11	RK	HMR



DETAIL A



DETAIL B

NOTES:

1. CAVITY IDENTIFICATION ON FRONT AND REAR FACE.
  2. RECEPTACLE WILL ACCEPT NINE (9) MULTIMATE PIN CONTACTS.
- ⚠ WHITE DOT OVER MAJOR KEY, APPROX WHERE SHOWN.
  - ⚠ PRELIMINARY PART NUMBER.

NOTES	PERIPHERAL SEAL	SEE DETAIL	PART NUMBER
⚠	NO	A	206705-5
-	YES	B	206705-4
-	YES	A	206705-3
-	NO	B	206705-2
-	NO	A	206705-1

THIS DRAWING IS A CONTROLLED DOCUMENT.		BY: D. HARDY 05/19/04	TE Connectivity	
APPROVED: S. STONE 05/20/04		RECEPTACLE HOUSING, STANDARD SEX, SHELL SIZE 13, CPC		
DIMENSIONS: MM (INCHES)		PRODUCT SPEC: 108-10024	SIZE: A2	CAGE CODE: 00779
MATERIAL: NYLON, BLACK		FINISH: -	DRAWING NO: C-206705	RESTRICTED TO: -
CUSTOMER DRAWING		SCALE: 2:1	SHEET: 1 of 1	REV: L1