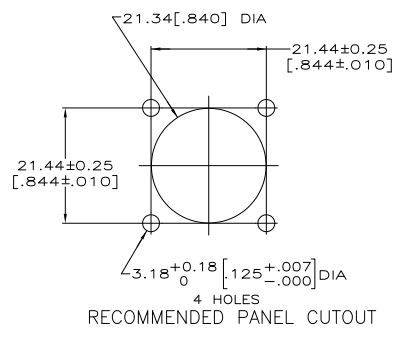
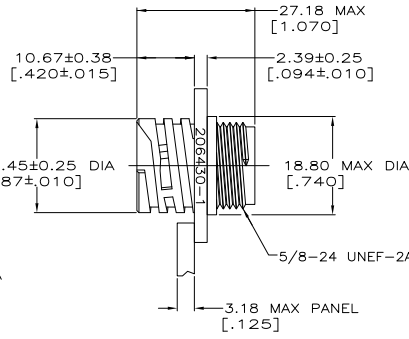
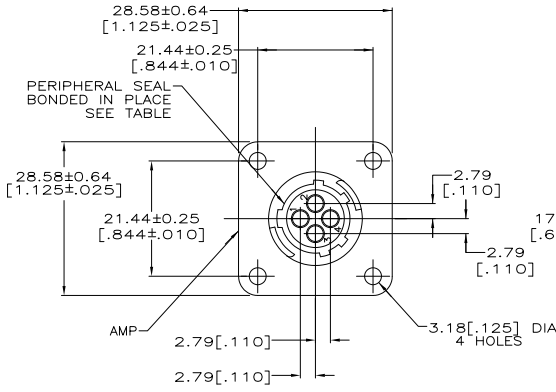
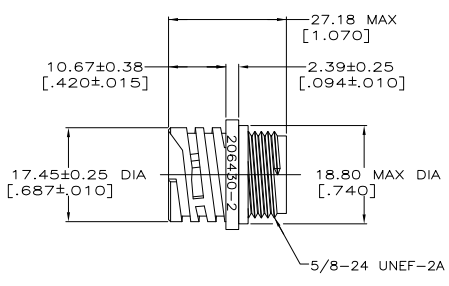
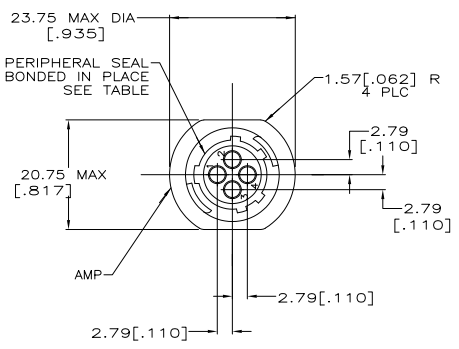


THIS DRAWING IS UNPUBLISHED. RELEASED FOR PUBLICATION. ALL RIGHTS RESERVED.

MOD	LOC	QST	REVISIONS		
			DESCRIPTION	DATE	BY
4	BD	35	G1 REVISED PER ECO-11-004587	11MAR11	RK HMR



DETAIL A



DETAIL B

SMALL PACK	NO	A	206430-5
STANDARD	YES	B	206430-4
STANDARD	YES	A	206430-3
STANDARD	NO	B	206430-2
STANDARD	NO	A	206430-1
PACKAGING	PERIPHERAL SEAL	SEE DETAIL	PART NO

1. CAVITY IDENTIFICATION ON FRONT AND REAR FACE.
2. WILL ACCEPT FOUR (4) MULTIMATE SOCKET CONTACTS.

THIS DRAWING IS A CONTROLLED DOCUMENT.		BY W.LENKER 09/09/92	TE Connectivity	
DIMENSIONS: mm[INCHES]		CHK B.STONE 08/11/93	RECEPTACLE HOUSING, REVERSE	
TOLERANCES UNLESS OTHERWISE SPECIFIED:		APP A.FRANTZUM 08/13/93	SEX, SHELL SIZE 11, CPC	
Ø	PLC ± .01	PRODUCT SPEC: 108-10024	SIZE	A2
PLC	± .013 [A05]	APPLICATION SPEC	QAGE CODE	00779
PLC	± .01		DRAWING NO	206430
PLC	± .01		RESTRICTED TO	
FINISH		WEIGHT		
MATERIAL	NYLON, BLACK	CUSTOMER DRAWING	SCALE	2:1
			SHEET	1 of 1
			REV	G1