

4

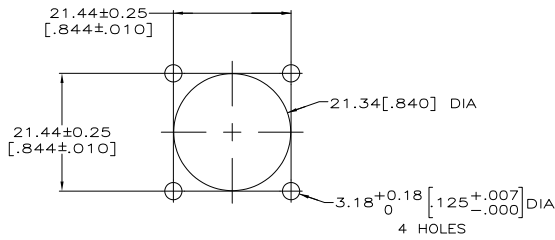
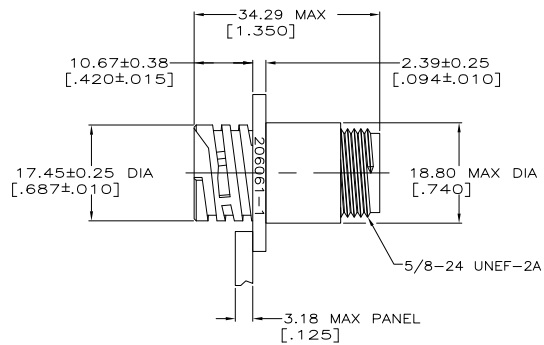
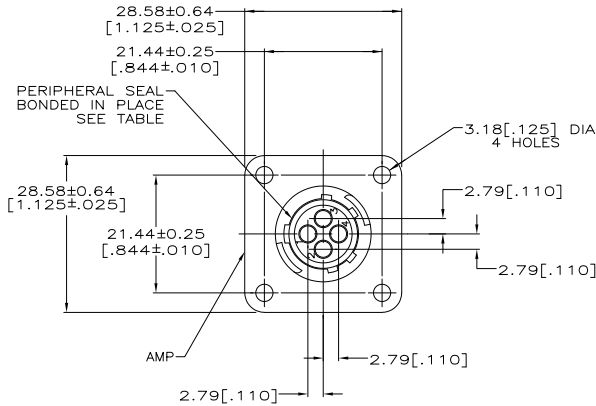
3

2

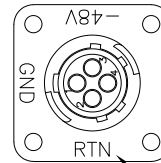
1

THIS DRAWING IS UNPUBLISHED. RELEASED FOR PUBLICATION
 © COPYRIGHT - By - ALL RIGHTS RESERVED.

LOC		DIBT		REVISIONS			
FT	0	P	LTR	DESCRIPTION	DATE	BY	APD
		F1		REVISED PER ECO-11-004587	11MAR11	RK	HMR



RECOMMENDED PANEL CUTOUT



DETAIL A
-5 ONLY
RTN, GND AND -48V MARKED WITH WHITE INK, .118 MAX.

DETAIL A	STANDARD	NO	206061-5
-	SMALL PACK	NO	206061-3
-	STANDARD	YES	206061-2
-	STANDARD	NO	206061-1
MARKING	PACKAGING	PERIPHERAL SEAL	PART NO.

NOTES:

1. CAVITY IDENTIFICATION ON FRONT AND REAR FACE.
2. WILL ACCEPT FOUR (4) MULTIMATE PIN CONTACTS.

DIMENSIONS:		OTHER DIMENSIONS:		TE Connectivity	
INCHES	0.0005	OTHER DIMENSIONS	0.0005	TE Connectivity	TE Connectivity
0.0005	0.0005	0.0005	0.0005	108-10024	RECEPTACLE HOUSING, STANDARD
0.0005	0.0005	0.0005	0.0005	APPLICATION SPEC	SEX, SHELL SIZE 11, CPC
0.0005	0.0005	0.0005	0.0005	SIZE	SIZE
0.0005	0.0005	0.0005	0.0005	00779	00779
0.0005	0.0005	0.0005	0.0005	206061	206061
0.0005	0.0005	0.0005	0.0005	CUSTOMER DRAWING	CUSTOMER DRAWING
0.0005	0.0005	0.0005	0.0005	SCALE	SCALE
0.0005	0.0005	0.0005	0.0005	2:1	2:1
0.0005	0.0005	0.0005	0.0005	SHEET	SHEET
0.0005	0.0005	0.0005	0.0005	1 of 1	1 of 1
0.0005	0.0005	0.0005	0.0005	REV	REV
0.0005	0.0005	0.0005	0.0005	F1	F1