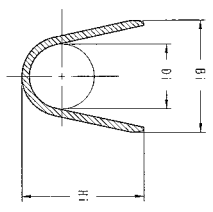
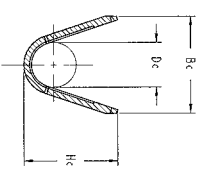
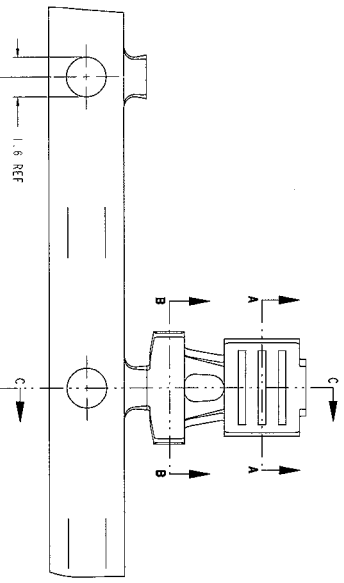
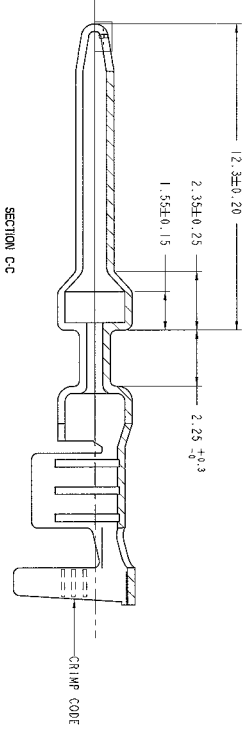
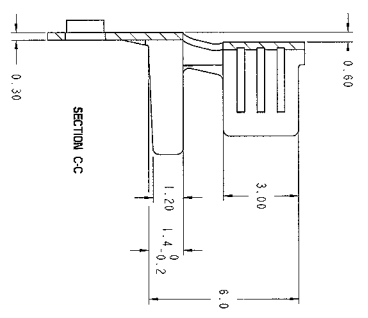
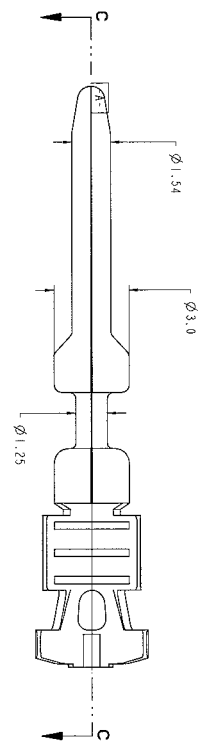


NECK DOWN AREA OF TERMINAL MUST NOT BREAK-OUT OR FRACTURE WHEN PULL OF TERMINAL BEING MADE IN ANY DIRECTION TO AN ANGLE OF 90 MIN. OFF THE CENTER LINE OF TERMINAL.

CRIMP TYPE	CRIMP AREA DIMENSION												CRIMP CODE
	B ₁	B ₂	D ₁	H ₁	H ₂	B ₃	D ₂	D ₃	H ₃	H ₄	H ₅	H ₆	
C	3.70	1.80	3.90	4.70	2.60	4.90							
	±0.15	REF	±0.15	±0.15	REF	±0.15							
I	2.50	1.20	2.90	3.00	2.00	4.00							
	±0.15	REF	±0.15	±0.15	REF	±0.15							
D	2.00	0.80	2.70	2.80	1.50	3.00							
	±0.15	REF	±0.15	±0.15	REF	±0.15							

FULL SIZE VIEWS
SCALE 1:300

FULL ASSY VIEW
WATERPROOF
SCALE 2:000



PART AS SUPPLIED

P/N	DESCRIPTION	WATERPROOF	WIRE CROSS SEC. AREA	CRIMP CODE	CRIMP SPEC.	WEIGHT	COMPONENTS		MATERIALS		COMPONENTS SUPPLIED APART		TO FIT IN CAVITY	
							TERMINAL WIRE SEAL	SEE SHEET	TERMINAL	WIRE SEAL	TYPE	DESCRIPTION		
△ 1-1437709-1	TERMINAL MALE TIN P.L.T.	YES	0.27±0.35mm ²		AC/11/8/95	0.3029g.	1	SEE SHEET	1-1437713-1 (0.27±0.35) BLACK	AC/17/20/95	CAVITY TERMINAL MALE BRIGHT			
△ 1-1437709-2	TERMINAL MALE TIN P.L.T.	YES	0.50±1.0mm ²		AC/11/8/95	0.3429g.	1	SEE SHEET	1-1437713-2 (0.50±1.00) RD BLUE					
△ 1-1437709-3	TERMINAL MALE TIN P.L.T.	NO	1.50±2.5mm ²		AC/11/8/95	0.3439g.	1	NOT USED	1-1437713-3 (1.50)					
△ 1-1437709-4	TERMINAL MALE TIN P.L.T.	NO	0.27±0.35mm ²		AC/11/8/95	0.3029g.	1	NOT USED						
△ 1-1437709-2	TERMINAL MALE TIN P.L.T.	NO	0.50±1.0mm ²		AC/11/8/95	0.3429g.	1	NOT USED						
△ 1-1437709-3	TERMINAL MALE TIN P.L.T.	NO	1.50±2.5mm ²		AC/11/8/95	0.3439g.	1	NOT USED						

TERMINAL INFORMATION

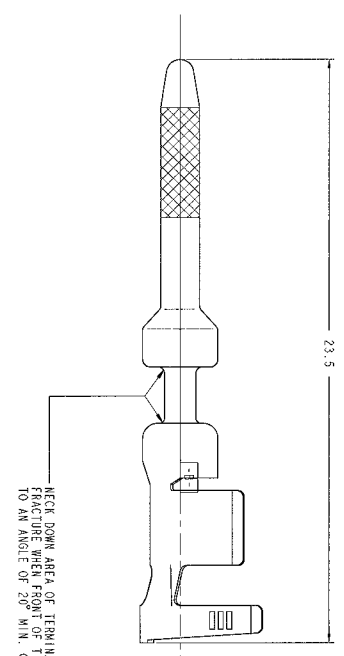
1-1437709-1, 1-1437709-2, 1-1437709-3, 1-1437709-4

1.6 SYSTEM TERMINAL PLATED

DATE: 00779 (14)8070

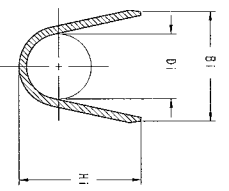
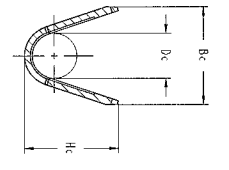
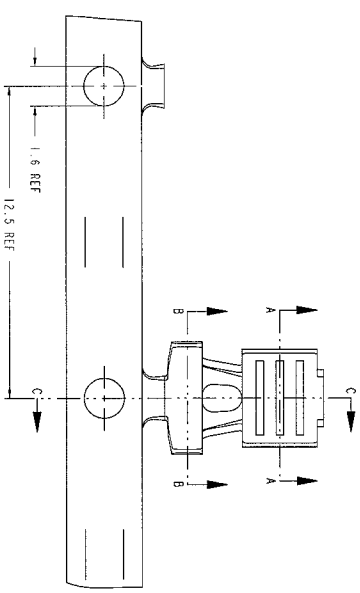
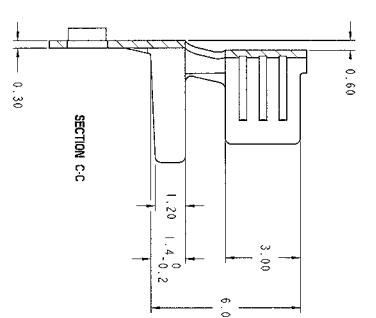
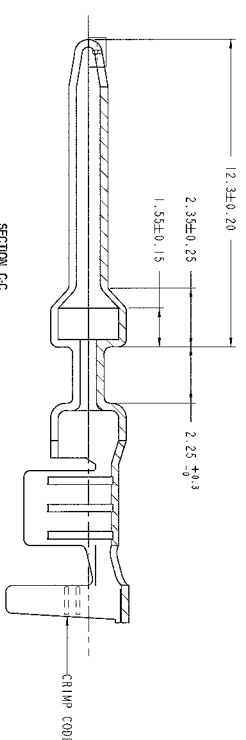
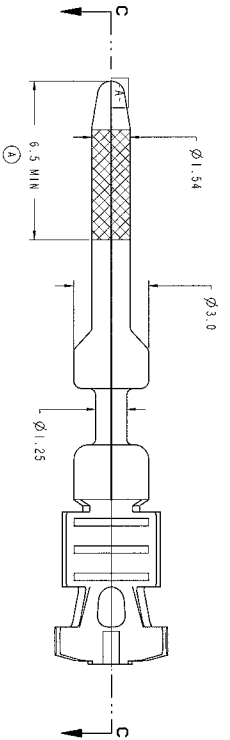
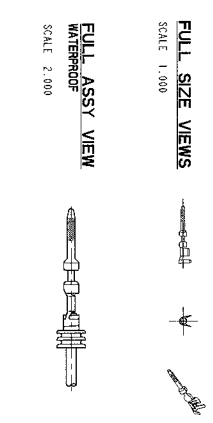
SCALE: 10:1

REV	DATE	DESCRIPTION	BY	CHK
A1		ESD01-2824-01		
A2		ESD01-3314-01		
A3		REVISED FOR ESD-06-018331		



NECK DOWN AREA OF TERMINAL MUST NOT BREAK-OFF OR FRACTURE WHEN FRONT OF TERMINAL IS BENT IN ANY DIRECTION TO AN ANGLE OF 20° MIN. OFF THE CENTERLINE OF TERMINAL.

CRIMP TYPE	B	Dc	Hc	D1	D1	D1	H1	CRIMP CODE
I	3.70	1.80	3.90	4.70	2.60	4.90		I
	2.50	1.20	2.80	3.50	2.00	4.00		
B	2.00	0.80	2.20	2.80	1.50	3.00		B
	2.00	0.80	2.20	2.80	1.50	3.00		



△ SUPERSEDES 1-1437709-8

PART AS SUPPLIED				COMPONENTS			MATERIALS		COMPONENTS SUPPLIED APART		TO FIT IN CAVITY	
P/N	DESCRIPTION	MATERIAL	WIRE CLASS. SEC. AREA	GROUP CODE	CRIMP SPEC.	WEIGHT	TERMINAL WIRE SEAL	TERMINAL	WIRE SEAL	TYPE	DESCRIPTION	
0-1437709-6	TERMINAL MALE GOLD PLT.		0.22±0.35mm ²	I	AC71/18195	0.3029g	I	D1N 11870 GOLD PLATED AT LOCATION	1-1437703-1 (0.22±0.35) BLACK			
0-1437709-7	TERMINAL MALE GOLD PLT.		0.50±1.00mm ²	I	AC71/18195	0.3229g	SEE SHEET	D1N 11870 GOLD PLATED AT LOCATION	1-1437703-2 (0.50±1.00) RED			
0-1437709-8	TERMINAL MALE GOLD PLT.		0.22±0.35mm ²	I	AC71/18195	0.3029g	NOT USED	TIN PLATED	1-1437703-3 (1.50) BLUE	AC7170/95	CAVITY TERMINAL MALE	
0-1437709-7	TERMINAL MALE GOLD PLT.		0.50±1.00mm ²		AC71/18195	0.3229g						

1-6 SYSTEM
 TERMINAL MALE
 GOLD PLATED

1
 00779
 148070

2 of 2