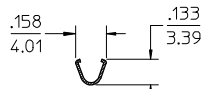
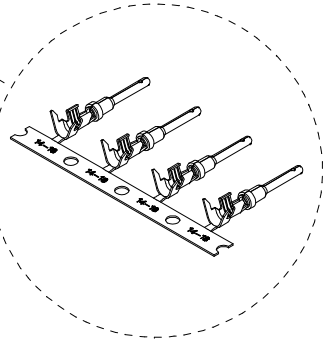


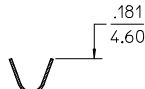
⑥	STRIP MATERIAL NUMBER	FINISH
	84590-0021	OVERALL NICKEL 80µ MINIMUM



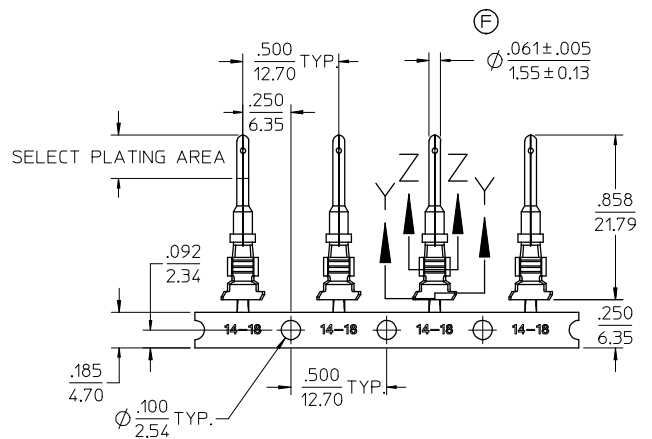
PAYOFF DIRECTION



SECTION Z-Z



SECTION Y-Y



⑥ WIRE INSULATION O.D. RANGE .095-.150  
2.41-3.81

NOTES:

1. MATERIAL: COPPER ALLOY .0120/0.305 THICK.
2. FINISH: SEE CHART.
3. STRIP TERMINALS ARE REELED AS SHOWN ABOVE, 3000 PARTS PER REEL.
4. TERMINAL FOR USE WITH SERIES XRC CONNECTOR ASSEMBLIES.
5. ALL DIMENSIONS ARE REFERENCE.
6. ALL MATERIALS AND FINISHES ARE ROHS COMPLIANT.

REVISE NOTES & TABLE EC NO: WNAZ008-0739 DRAWN/CHK: 2008/02/26 CHKD/RECS: 2008/04/21 APPR: RDEROSS 2008/04/24	QUALITY SYMBOLS ▽=0 ▽=0	GENERAL TOLERANCES (UNLESS SPECIFIED)	DIMENSION STYLE IN/MM	SCALE 2:1	DESIGN UNITS INCH	THIRD ANGLE PROJECTION	
		4 PLACES ± --- ± ---	DRAWN BY RSTONE	DATE 09/15/04	TITLE CONTACT PIN 14-18 AWG		
		3 PLACES ± --- ± .010	CHECKED BY APLAZA	DATE 09/15/04	MOLEX INCORPORATED		
		2 PLACES ± 0.25 ± .02	APPROVED BY LROTHAUS	DATE 09/15/04			
1 PLACE ± 0.5 ± ---	ANGULAR ± 3 °	MATERIAL NO. SEE CHART	DOCUMENT NO. SD-84590-001	SHEET NO. 1 OF 1	THIS DRAWING CONTAINS INFORMATION THAT IS PROPRIETARY TO MOLEX INCORPORATED AND SHOULD NOT BE USED WITHOUT WRITTEN PERMISSION		