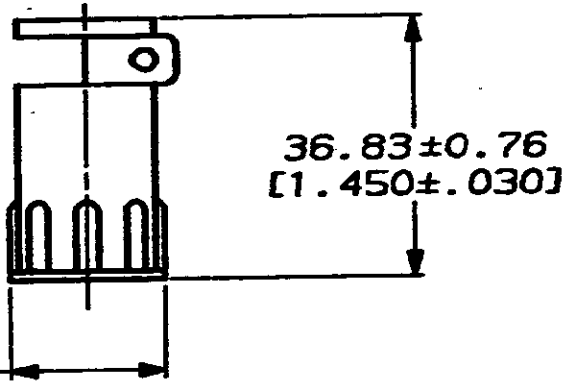
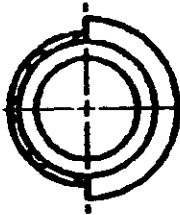


DRAWING MADE IN THIRD ANGLE PROJECTION



REV	LOC	QTY	REVISIONS				DATE	APPROVED
23	BD	39	P	F	LTR	DESCRIPTION	DATE	APPROVED
			✓	✓	B	REDRAWN	4/23/81	-



THIS DRAWING IS UNPUBLISHED. RELEASED FOR PUBLICATION BY AMP INCORPORATED. ALL INTERNATIONAL RIGHTS RESERVED. © COPYRIGHT 19

206357-1
PART NO

DO NOT SCALE PRINT. UNLESS SPECIFIED DIMENSIONS IN IN (IN) TOLERANCES ON:	DR 4/23/81
2 PLC DEC ± -	A. BRAY
3 PLC DEC ± -	CHK 3-4-82
ANGLES ± -	B. LINDOR
MATERIAL	APPD 3-4-82
THERMOPLASTIC BLACK	K. BEANS
FINISH	APPD 3-4-82
-	C. ROBE
	PRODUCT SPEC
	-
	APPLICATION SPEC
	-
	WEIGHT -

AMP AMP Incorporated Harrisburg, PA 17105-3608		
NAME CABLE CLAMP BODY, LARGE, SHELL SIZE 11, CPC		
SIZE A	CAGE CODE 00779	DRAWING NO 206357
SCALE 1:1	SHEET 1 of 1	

CUSTOMER DRAWING