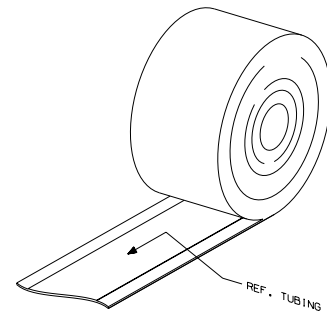
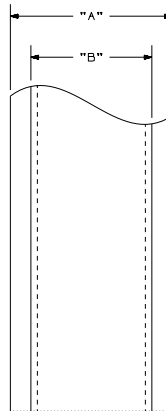


THIS COPY IS PROVIDED ON A RESTRICTED BASIS AND IS NOT TO BE USED IN ANY WAY DETRIMENTAL TO THE INTERESTS OF PANDUIT CORP.

PART NO.	HEATSHRINK TUBING	COLOR	TUBING WIDTH "B"	LINER WIDTH "A"	ROLL LENGTH
H000X025F1C	GMHS31-1/8"	WHITE	.25 (6.35)	0.85 (21.59)	96.0" +10.0"/-0.0" (2438.4 mm +254mm/ _0.0 mm)
H000X034F1C	GMHS31-3/16"	WHITE	.34 (8.89)	0.85 (21.59)	96.0" +10.0"/-0.0" (2438.4 mm +254mm/ _0.0 mm)
H000X044F1C	GMHS31-1/4"	WHITE	.44 (11.18)	0.85 (21.59)	72.0" +10.0"/-0.0" (1828.8 mm +254mm/ _0.0 mm)
H000X084F1C	GMHS31-1/2"	WHITE	.84 (21.34)	1.13 (28.70)	72.0" +10.0"/-0.0" (1828.8 mm +254mm/ _0.0 mm)



NOTE:
 1. SEE MFG. DWG. NO. A61301.
 2. DIMENSIONS IN () ARE IN MILLIMETERS.

REV	DATE	BY	CHK	DESCRIPTION	ECN	R	CUST	SUP
0	5-10-06	RVJ		DRAWING RELEASED.	4503	R		

CAD FILENAME/LAYERS 00472LX_C10410_HxxxXxxxF1C_00.prt	
PANDUIT CORP TINLEY PARK, ILLINOIS	
CUSTOMER DRAWING LSB HEATSHRINK MARKERS H***X***F1C	
UNLESS OTHERWISE SPECIFIED, DIMENSIONAL TOLERANCES ARE: (.XX) ± .03 (XXX) ± .015 (.XXX) ± .030 ANGLES ±	UNLESS OTHERWISE SPECIFIED, ALL DIMENSIONS ARE GIVEN IN INCHES, THIRD ANGLE PROJECTION
DRAWN BY: RVJ	MAT'L: SEE TABLE.
DATE: 5-10-06	SCALE: FULL
CHK'D:	DRAWING NO. C10410
	DWG SIZE: B