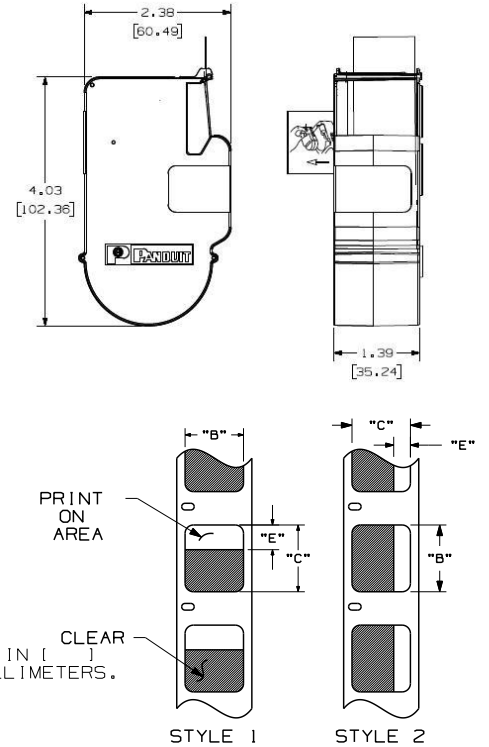


THIS COPY IS PROVIDED ON A RESTRICTED BASIS AND IS NOT TO BE USED IN ANY WAY DETRIMENTAL TO THE INTERESTS OF PANDUIT CORP.

PANDUIT PART NO.	PART DESCRIPTION	MATERIAL	STYLE	"B"	"C"	"E"	COLOR (PRINT ON AREA)	LABELS/ROLL
S025X075VAC	18-14 AWG WIRES	GMV16	2	0.75 (19.05)	0.25 (6.35)	0.25 (6.35)	WHITE	650
S050X075VAC	18-14 AWG WIRES	GMV16	2	0.75 (19.05)	0.50 (12.70)	0.25 (6.35)	WHITE	450
S050X125VAC	12-10 AWG WIRES	GMV16	1	0.50 (12.70)	1.25 (31.75)	0.38 (9.65)	WHITE	225
S050X150VAC	CAT. 5e/ CAT. 6 CABLE	GMV16	1	0.50 (12.70)	1.50 (38.10)	0.50 (12.70)	WHITE	200
S075X075VAC	18-14 AWG WIRES	GMV16	1	0.75 (19.05)	0.75 (19.05)	0.25 (6.35)	WHITE	350
S075X100VAC	12-10 AWG WIRES	GMV16	1	0.75 (19.05)	2.20 (55.88)	0.38 (9.65)	WHITE	275
S075X125VAC	12-10 AWG WIRES	GMV16	1	0.75 (19.05)	1.25 (31.75)	0.38 (9.65)	WHITE	225
S075X150VAC	CAT. 5e/ CAT. 6 CABLE	GMV16	1	0.75 (19.05)	1.50 (38.10)	0.50 (12.70)	WHITE	200
S100X075VAC	18-14 AWG WIRES	GMV16	1	1.00 (25.40)	2.20 (55.88)	0.25 (6.35)	WHITE	350
S100X125VAC	12-10 AWG WIRES	GMV16	1	1.00 (25.40)	1.25 (31.75)	0.38 (9.65)	WHITE	225
S100X150VAC	CAT. 5e/ CAT. 6 CABLE	GMV16	1	1.00 (25.40)	1.50 (38.10)	0.50 (12.70)	WHITE	200
S100X160VAC	NW5LC-2Y AND NW5LC-3Y	GMV16	1	1.00 (25.40)	1.60 (40.64)	0.80 (20.32)	WHITE	175
S100X220VAC	NW5LC-7Y	GMV16	1	1.00 (25.40)	1.55 (39.37)	1.10 (27.94)	WHITE	125
S100X150VBC	CAT. 5e/ CAT. 6 CABLE	GMV16	1	1.00 (25.40)	1.50 (38.10)	0.50 (12.70)	BLUE	200
S100X150VDC	CAT. 5e/ CAT. 6 CABLE	GMV16	1	1.00 (25.40)	1.50 (38.10)	0.50 (12.70)	GREEN	200
S100X150VHC	CAT. 5e/ CAT. 6 CABLE	GMV16	1	1.00 (25.40)	1.50 (38.10)	0.50 (12.70)	RED	200
S100X150VIC	CAT. 5e/ CAT. 6 CABLE	GMV16	1	1.00 (25.40)	1.50 (38.10)	0.50 (12.70)	YELLOW	200
S100X225VAC	8-4 AWG CABLE	GMV16	1	1.00 (25.40)	2.25 (57.15)	0.75 (19.05)	WHITE	125
S100X225VBC	8-4 AWG WIRES	GMV16	1	1.00 (25.40)	2.25 (57.15)	0.75 (19.05)	BLUE	125
S100X225VDC	8-4 AWG WIRES	GMV16	1	1.00 (25.40)	2.25 (57.15)	0.75 (19.05)	GREEN	125
S100X225VHC	8-4 AWG WIRES	GMV16	1	1.00 (25.40)	2.25 (57.15)	0.75 (19.05)	RED	125
S100X225VIC	8-4 AWG WIRES	GMV16	1	1.00 (25.40)	2.25 (57.15)	0.75 (19.05)	YELLOW	125
S100X400VAC	1-2 AWG WIRES	GMV16	1	1.00 (25.40)	4.00 (101.60)	1.00 (25.40)	WHITE	75
S100X650VAC	1/0-250 MCM WIRES	GMV16	1.00	1.00 (25.40)	6.50 (165.10)	1.50 (38.10)	WHITE	50.00



NOTES:  
1. DIMENSIONS IN ( ) ARE IN MILLIMETERS.

REV	DATE	BY	CHK	DESCRIPTION	ECN	R	CUST	SUP
2	9/15/10	RVU		add a new label- S025X075VAC. 650 labels/cassette. "C", 0.25.	6144		R	
1	5/18/10	RVU		GMV16 WAS GMV15.	6052		R	
0	4/21/08	RVU		DRAWING RELEASE	5403		R	

CAD FILENAME/LAYERS  
100743SR-DC-C10694/13C

**PANDUIT** CORP. TINLEY PARK, ILLINOIS

CUSTOMER DRAWING  
PI LABEL CASSETTE  
SELF-LAMINATING LABEL

UNLESS OTHERWISE SPECIFIED, DIMENSIONAL TOLERANCES ARE:  
(.X) ± .1  
(.XX) ± .030  
(.XXX) ± .025  
ANGLES ±

UNLESS OTHERWISE SPECIFIED, ALL DIMENSIONS ARE GIVEN IN INCHES, THIRD ANGLE PROJECTION.

SCALE: NTS

DRAWN BY: RVU  
DATE: 2/22/08  
MATERIAL: SEE TABLE  
CHK'D:

DWG NO: C10694  
DWG SIZE: A