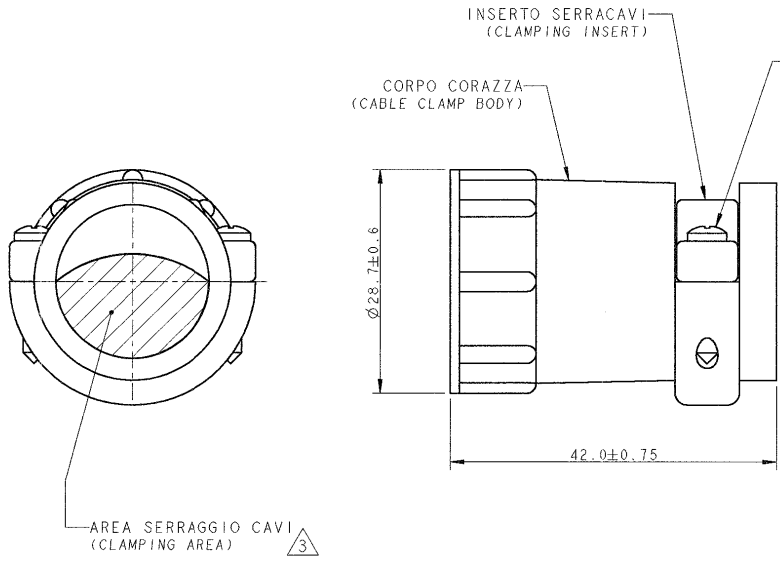


THIS DRAWING IS UNPUBLISHED. RELEASED FOR PUBLICATION
 (C) COPYRIGHT 19 BY AMP INCORPORATED. ALL RIGHTS RESERVED.

LOC		DIST		REVISIONS			
F	LT	DESCRIPTION	DATE	DWN	APVD	CT	GT
B		REDRAWN, ET00-0298-00	17 Nov '00				
C		Changed screw according to RoHS	28/07/05 ECR7789	AV			



- 1) MATERIALE : TERMOPLASTICO, COLORE NERO
(MATERIAL : THERMOPLASTIC, BLACK COLOUR)
- 2) PARTICOLARI FORNITI NON ASSEMBLATI IN SACCHETTO DI PLASTICA
(PARTS PACKAGED UNASSEMBLED INTO A PLASTIC BAG)
- 3) L'AREA SERRAGGIO CAVI E' VARIABILE DA 64.5 A 264.5 mm²
IN FUNZIONE DEL TIPO E POSIZIONE DELL'INSERTO SERRACAVO
(CABLE CLAMPING AREA ADJUSTABLE FROM .100 TO .410 SQ. IN.
BY SELECTING AND REVERSING CLAMPING INSERTS)
- 4) QUESTO CONNETTORE E' RICONOSCIUTO E CERTIFICATO
(THIS CONNECTOR IS UL RECOGNIZED AND CSA CERTIFIED)
- 5) Ø MAX DEL FASCIO CAVI = 17.9 mm.
(MAXIMUM CABLE O.D. = .703 IN.)

P/N 182661-1 COME RAPPRESENTATO
(P/N 182661-1 AS SHOWN)

<small>THIS DRAWING IS A CONTROLLED DOCUMENT FOR AMP INCORPORATED. IT IS SUBJECT TO CHANGE AND THE CONTROLLING ENGINEERING ORGANIZATION SHOULD BE CONTACTED FOR THE LATEST REVISION.</small>		DWN R	15 NOV 2000	AMP Italia S.p.A. C.so F.lli Cervi, 15 COLLEGNO (TO)	
DIMENSIONS: mm		CHR -	APVD TARTARI		NAME C.P.C. CABLE CLAMP KIT SIZE 17 (SPECIAL)
		TOLERANCES UNLESS OTHERWISE SPECIFIED: 0-PLC ± 1-PLC ± ± 0.3 2-PLC ± ± 0.3 3-PLC ± ± 0.3 4-PLC ± ± 0.3 ANGLES ± 0°		PRODUCT SPEC 108-10024 APPLICATION SPEC -	SIZE A3 CAGE CODE 00779 DRAWING NO C=182661
MATERIAL -	FINISH -	WEIGHT -		SCALE 2:1 SHEET 1 of 1 REV C	
CUSTOMER DRAWING					