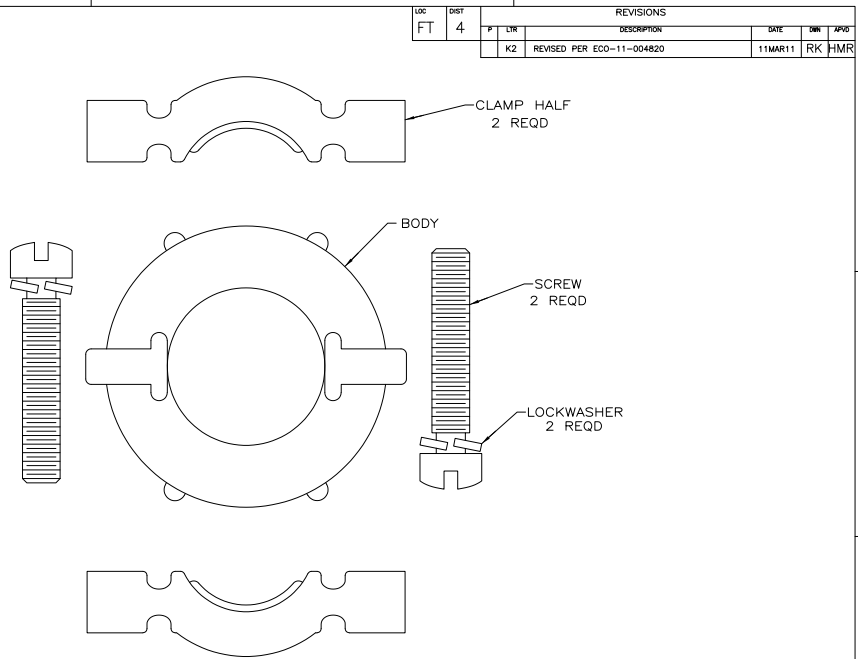


- ⚠ MILITARY CONNECTORS USUALLY DESIGNATE A 3/4-20 THREAD FOR SIZE 14 CONNECTORS AND A 7/8-20 THREAD FOR SIZE 16 CONNECTORS. AMP'S SIZE 14 CONNECTORS WITH A 7/8-20 THREAD IS A DEVIATION FROM THIS STANDARD.
- ⚠ BODY & CLAMPS: NICKEL PLATE.
- ⚠ BODY & CLAMPS: ZINC ALLOY.
- ⚠ SCREWS & WASHERS: STAINLESS STEEL.
- ⚠ PACKAGED IN BULK ONLY.
- ⚠ OBSOLETE PARTS: OBSOLETE CIS STREAMLINING PER D.RENAUD/D.SINISI



REV	DESCRIPTION	DATE	BY	APP'D
4	REVISED PER ECO-11-004820	11MAR11	RK	HMR

REV	DESCRIPTION	F	E	D	C	B	A	SHELL SIZE	PART NO
⚠ OBSOLETE 1	7/16-18UNEF-3B	11.43 [.450]	17.48 [.688]	42.88 [1.688]	43.10 [1.697]	26.19 [1.031]	28	1	208945-0
⚠ OBSOLETE 1	7/16-18UNEF-3B	11.43 [.450]	17.48 [.688]	42.88 [1.688]	43.10 [1.697]	26.19 [1.031]	28		208945-9
1	7/16-18UNEF-3B	11.43 [.450]	23.83 [.938]	42.88 [1.688]	43.10 [1.697]	26.19 [1.031]	28		208945-8
1	3/16-18UNEF-3B	8.26 [.325]	19.05 [.750]	37.31 [1.469]	36.37 [1.432]	23.83 [.938]	22		208945-7
⚠ 1	7/8-20UNEF-3B	5.72 [.225]	14.27 [.562]	29.59 [1.165]	29.85 [1.175]	23.83 [.938]	14		208945-5
		F	E	D	C	B	A	SHELL SIZE	PART NO

THIS DRAWING IS A CONTROLLED DOCUMENT.

BY: W.G.LENKER 05/18/02
 CHK: B.STONE 6-1-02
 APP'D: K.BEAVER 6-3-02

TE Connectivity
 CABLE CLAMP KIT, UNASSEMBLED, CMC

SIZE: A2 CASE CODE: 00779 DRAWING NO: 208945 RESTRICTED TO: K2

MATERIAL: FINISH: CUSTOMER DRAWING SCALE: 4:1 SHEET: 1 of 1 REV: K2