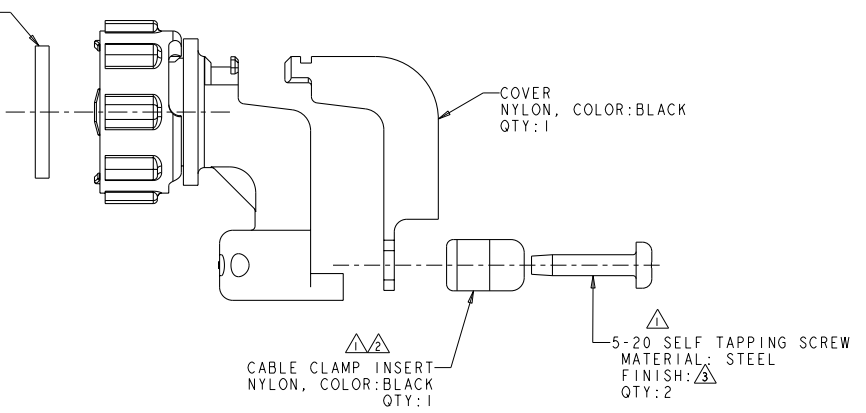
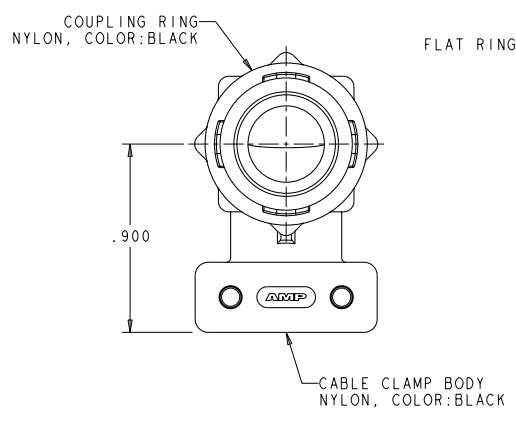
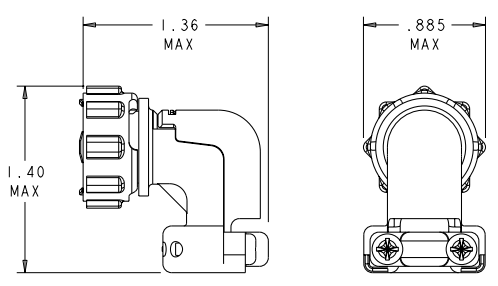


| REVOLUTIONS | | DATE | BY | APPROV |
|-------------|-----|---------|-----|--------|
| P | LYA | | | |
| B | | 29SEP10 | HMR | MG |
| | | | | |
| | | | | |



- △ SELF TAPPING SCREWS AND CABLE CLAMP INSERTS PACKAGED UNASSEMBLED.
- △ CLAMPING AREA ADJUSTABLE TO .329 O.D. MAX CABLE. CABLE CLAMP INSERTS CAN BE ADJUSTED BY INVERTING OR CHANGING CABLE CLAMP INSERT.
- △ SCREW FINISH ZINC WITH NON HEXAVALENT CHROMATE.



ASSEMBLED VIEW
 SCALE 2:1

| | |
|-------------------|-------------|
| SUPERSEDED BY - 2 | 1546347-2 |
| | 1546347-1 |
| | PART NUMBER |

| | | | | |
|--------------------------|--|--|---|---|
| DIMENSIONS: INCHES | | OPERATING SPECIFICATIONS: 0 PLC ±" 1 PLC ±" 2 PLC ±" 3 PLC ±0.005 4 PLC ±" ANGLES ±" | DWG: 12AUG2002 S. WELDON CD: 12AUG2002 S. BEADER APD: 12AUG2002 S. BEADER | AMP Incorporated Harrisburg, PA 17105-3608 |
| MATERIAL: - FINISH: - | | APPLICATION SPEC: - WEIGHT: - CUSTOMER DRAWING | NAME: CABLE CLAMP KIT, UNASSEMBLED, R/A, W/COVER, SIZE 11, CPC SIZE: A2 CASE CODE: 00779 DRAWING NO: 1546347 | RESTRICTED TO: - SCALE: 3:1 SHEET: 1 OF 1 REV: B |