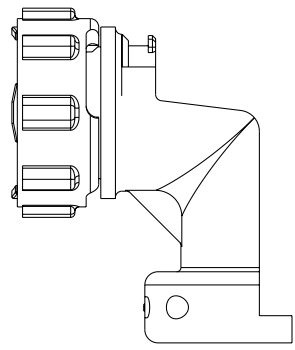
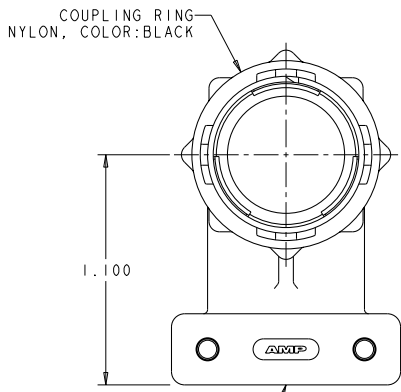


LOC		DIST		REVISIONS			
FT	0	P	LYR	DESCRIPTION	DATE	BY	APPR
		E		REVISED PER ECO-10-012730	20SEP10	HRM	MG

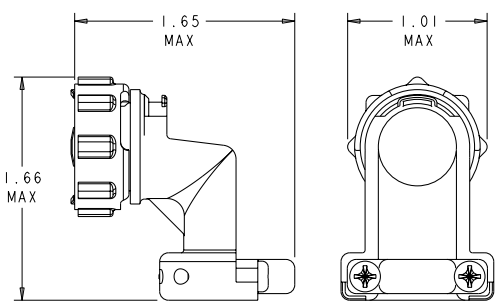
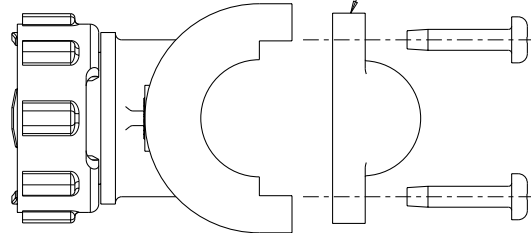


- △ SELF TAPPING SCREWS AND CABLE CLAMP INSERTS PACKAGED UNASSEMBLED.
- △ CLAMPING AREA ADJUSTABLE TO .453 O.D. MAX CABLE. CABLE CLAMP INSERTS CAN BE ADJUSTED BY INVERTING OR CHANGING CABLE CLAMP INSERT.

△ 5-20 SELF TAPPING SCREW  
 MATERIAL: STEEL  
 QTY: 2  
 LENGTH: .50<sup>+.00</sup><sub>-.05</sub>

CABLE CLAMP BODY  
 NYLON, COLOR:BLACK

△ △ CABLE CLAMP INSERT  
 NYLON, COLOR:BLACK  
 QTY: 2



ASSEMBLED VIEW  
 SCALE 2:1

SUPERSEDED BY - 2	796380-2
	796380-1
	PART NUMBER

DIMENSIONS: INCHES		TO DIMENSIONS UNLESS OTHERWISE SPECIFIED. OPERATING SPECIFICATIONS:		DWN S. WELDON 11FEB2000 CBY M. CHACKO 11FEB2000 APD M. CHACKO 11FEB2000	AMP Incorporated Harrisburg, PA 17105-3608
0 PLC ±.01 1 PLC ±.02 2 PLC ±.03 3 PLC ±0.005 4 PLC ±.04 ANGLES ±.1	PRODUCT SPEC APPLICATION SPEC	NAME CABLE CLAMP KIT, UNASSEMBLED, RIGHT ANGLE, SIZE 13, CPC	SIZE CASE CODE DRAWING NO A200779 ©-796380	RESTRICTED TO	
MATERIAL FINISH		WEIGHT		CUSTOMER DRAWING	
				SCALE 3:1 SHEET 1 OF 1 REV E	