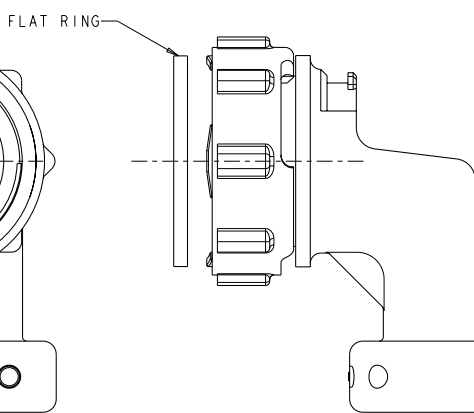
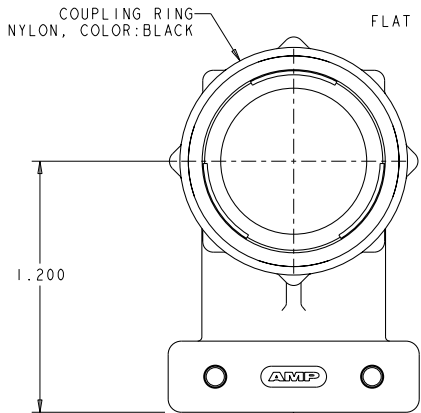


THIS DRAWING IS UNPUBLISHED. RELEASED FOR PUBLICATION
 BY TYCO ELECTRONICS CORPORATION. ALL RIGHTS RESERVED.

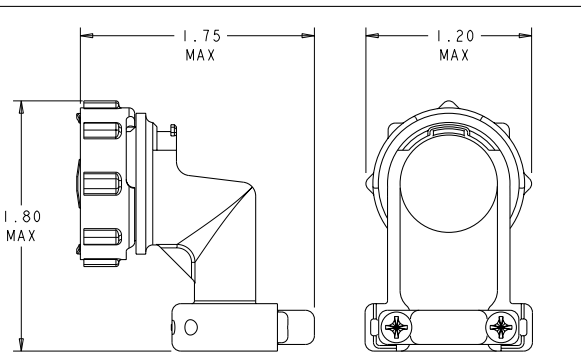
LOC	DISP	REVISIONS					
FT	0	P	LYR	DESCRIPTION	DATE	BY	APPR
		C		REVISED PER ECO-10-012730	20SEP10	MMR	MG



- △ SELF TAPPING SCREWS AND CABLE CLAMP INSERTS PACKAGED UNASSEMBLED.
- △ CLAMPING AREA ADJUSTABLE TO .453 O.D. MAX CABLE. CABLE CLAMP INSERTS CAN BE ADJUSTED BY INVERTING OR CHANGING CABLE CLAMP INSERT.

△ 5-20 SELF TAPPING SCREW
 MATERIAL: STEEL
 QTY: 2
 LENGTH: .50⁺.00
 .05

△△ CABLE CLAMP INSERT
 NYLON, COLOR:BLACK
 QTY: 2



ASSEMBLED VIEW
 SCALE 2:1

SUPERSEDED BY - 2	796381-2
	796381-1
	PART NUMBER

<small>TOP DIMENSIONS CONTROL THE DESIGN OF THE PRODUCT AND THE DIMENSIONS OF THE PARTS MUST BE CONTROLLED TO THE TOLERANCES SPECIFIED.</small>		DWN S. WELDON 11FEB2000 CBY M. CHACKO 11FEB2000 APD M. CHACKO 11FEB2000	AMP Incorporated Harrisburg, PA 17105-3608
DIMENSIONS: INCHES	TOLERANCES UNLESS OTHERWISE SPECIFIED: 0 PLC ±.015 1 PLC ±.010 2 PLC ±.008 3 PLC ±0.005 4 PLC ±.005 ANGLES ±.5°	PRODUCT SPEC APPLICATION SPEC	NAME CABLE CLAMP KIT, UNASSEMBLED, RIGHT ANGLE, SIZE 17, CPC
MATERIAL	FINISH	WEIGHT	SIZE CASE CODE DRAWING NO A200779 ©=796381
		CUSTOMER DRAWING	RESTRICTED TO SCALE 3:1 SHEET 1 OF 1 REV C