

4

3

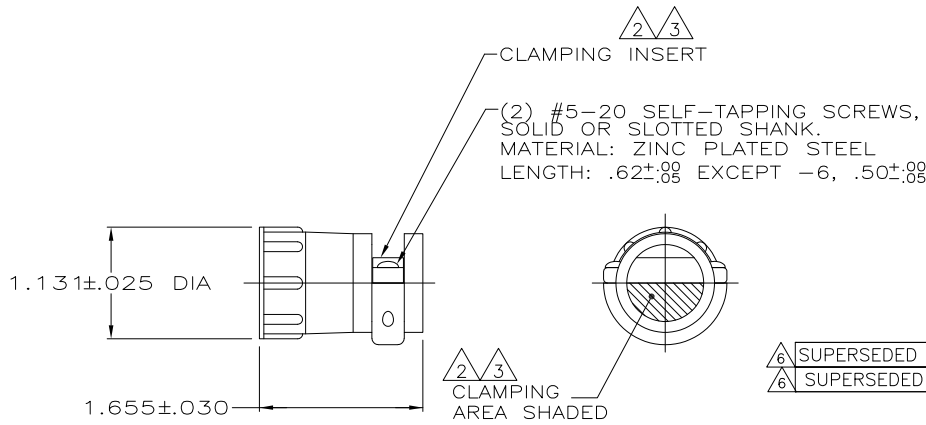
2

1

THIS DRAWING IS UNPUBLISHED. RELEASED FOR PUBLICATION  
 © COPYRIGHT - By - ALL RIGHTS RESERVED.

LOC	DIST	REVISIONS			
P	LTR	DESCRIPTION	DATE	DWN	APVD
	FT	0			
	P3	REVISED PER ECO-11-004587	11MAR11	RK	HMR

- 1 PARTS PACKAGED UNASSEMBLED.
- 2 CABLE CLAMPING AREA ADJUSTABLE FROM .100 TO .410 SQ IN BY REVERSING CLAMPING INSERTS. (2 INSERTS SUPPLIED, -1 AND -2 ONLY)
- 3 CABLE CLAMPING AREA ADJUSTABLE FROM .100 TO .410 SQ IN BY CHANGING CLAMPING INSERTS. (4 INSERTS SUPPLIED, -4 ONLY)
- 4 .703 MAXIMUM CABLE OUTSIDE DIAMETER.
- 5 BULK PACKAGED KITS TO BE ORDERED IN MULTIPLES OF 100 ONLY.
- 6 NON-HEXAVALENT CHROMATE FINISH.
- 7 OBSOLETE PARTS: OBSOLETE CIS STREAMLINING PER D.RENAUD/D.SINISI



6	INDIVIDUAL	1-206322-1
6	BULK	1-206322-0
6	INDIVIDUAL	206322-9
6	OBSOLETE - SMALL PACK	206322-8
6	OBSOLETE - INDIVIDUAL	206322-7
6	BULK	206322-6
6	OBSOLETE - SMALL PACK	206322-5
6	OBSOLETE - INDIVIDUAL	206322-4
6	SUPERSEDED BY 1-206322-0	BULK 206322-2
6	SUPERSEDED BY 206322-9	INDIVIDUAL 206322-1

PACKAGING                      PART NUMBER

THIS DRAWING IS A CONTROLLED DOCUMENT.		DWN A GRAFF 4/23/91		
DIMENSIONS: INCHES		CHK W.G.LENKER 7-22-92		
TOLERANCES UNLESS OTHERWISE SPECIFIED:		APVD -	NAME CABLE CLAMP KIT, LARGE, SHELL SIZE 17, CPC	
0 PLC ± -		PRODUCT SPEC 108-10024	RESTRICTED TO	
1 PLC ± -		APPLICATION SPEC -	SIZE A3	CAGE CODE 00779
2 PLC ± -		WEIGHT -	DRAWING NO C-206322	SCALE NTS
3 PLC ± -		CUSTOMER DRAWING	SHEET 1	OF 1
4 PLC ± -			REV P3	
ANGLES ± -				
MATERIAL THERMOPLASTIC		FINISH -		