

4

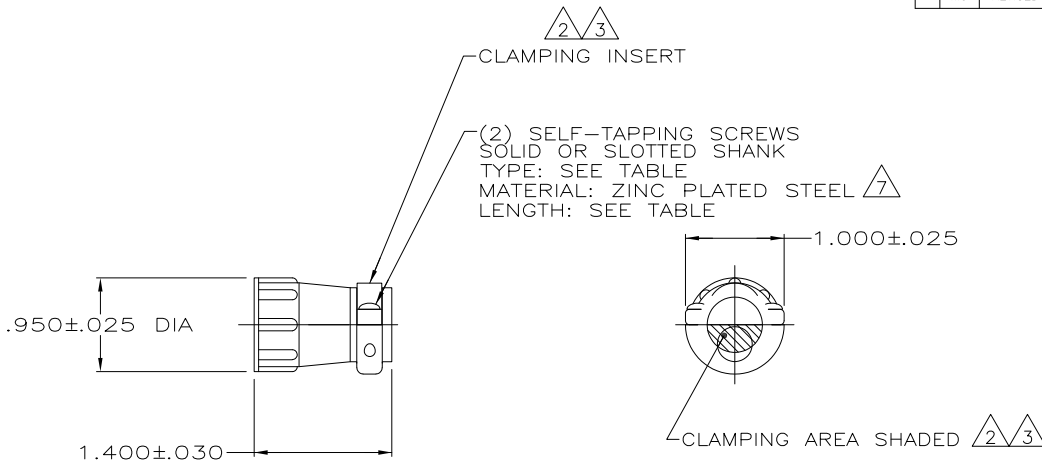
3

2

1

THIS DRAWING IS UNPUBLISHED. RELEASED FOR PUBLICATION  
 © COPYRIGHT - By - ALL RIGHTS RESERVED.

LOC	DIST	REVISIONS					
FT	0	P	LTR	DESCRIPTION	DATE	DWN	APVD
		M3		REVISED PER ECO-11-004587	11MAR11	RK	HMR



(2) (3)	(5) BULK	$.50 \pm .05$	#5-20	206966-9
(8) (2) (7) OBSOLETE	SMALL PACK	$.50 \pm .05$	#5-20	206966-8
(2) (7)	INDIVIDUAL	$.50 \pm .05$	#5-20	206966-7
(8) (7) OBSOLETE	SMALL PACK	$.50 \pm .05$	#5-20	206966-6
(2) AMP BRAZIL USE ONLY	INDIVIDUAL	$12\text{mm} \pm .8$	3mm-20	(6) 206966-5
	INDIVIDUAL	$.50 \pm .05$	#5-20	(6) 206966-4
(7) SUPERSEDED BY 206966-9	(6) BULK	$.50 \pm .05$	#5-20	206966-2
(7) SUPERSEDED BY 206966-7	INDIVIDUAL	$.50 \pm .05$	#5-20	206966-1
	PACKAGING	SCREW LENGTH	SCREW TYPE	PART NUMBER

- 1 PARTS PACKAGED UNASSEMBLED.
- (2) CABLE CLAMPING AREA ADJUSTABLE FROM .010 TO .161 SQ IN BY REVERSING CLAMPING INSERTS. (2 INSERTS SUPPLIED).
- (3) CABLE CLAMPING AREA ADJUSTABLE FROM .010 TO .161 SQ IN BY CHANGING CLAMPING INSERTS. (4 INSERTS SUPPLIED, -4 ONLY).
- 4 .453 MAXIMUM CABLE OUTSIDE DIAMETER.
- (5) BULK PACKAGED KITS TO BE ORDERED IN MULTIPLES OF 200 ONLY.
- (6) OBSOLETE PART NUMBER.
- (7) ZINC PLATED NON-HEXVALENT CHROMATE.
- (8) OBSOLETE PARTS: OBSOLETE CIS STREAMLINING PER D.RENAUD/D.SINISI

THIS DRAWING IS A CONTROLLED DOCUMENT.

DIMENSIONS: INCHES	TOLERANCES UNLESS OTHERWISE SPECIFIED:	DWN: A GRAFF 4/23/91	TE Connectivity	
0 PLC ± -	1 PLC ± -	CHK: W.G.LENKER 7-23-92	NAME	
2 PLC ± -	3 PLC ± -	APVD: -	CABLE CLAMP KIT, STANDARD, SHELL SIZE 13, CPC	
4 PLC ± -	ANGLES ± -	PRODUCT SPEC: 108-10024	SIZE: A3	CAGE CODE: 00779
MATERIAL: THERMOPLASTIC	FINISH: -	APPLICATION SPEC: -	DRAWING NO: C-206966	RESTRICTED TO: -
		WEIGHT: -	CUSTOMER DRAWING	SCALE: NTS SHEET: 1 OF 1 REV: M3