

4

3

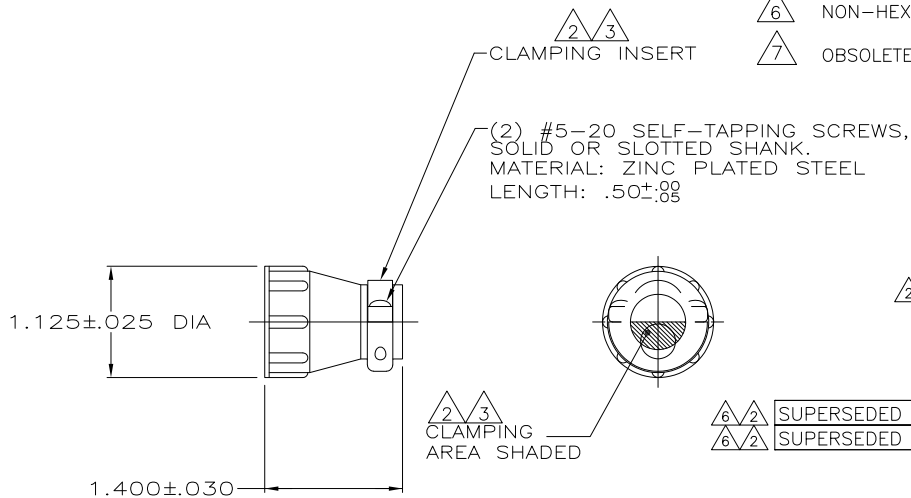
2

1

THIS DRAWING IS UNPUBLISHED. RELEASED FOR PUBLICATION  
 © COPYRIGHT - By - ALL RIGHTS RESERVED.

LOC	DIST	REVISIONS			
P	LTR	DESCRIPTION	DATE	DWN	APVD
	N3	REVISED PER ECO-11-004587	11MAR11	RK	HMR

- 1 PART PACKAGED UNASSEMBLED.
- 2 CABLE CLAMPING AREA ADJUSTABLE FROM .010 TO .161 SQ IN BY REVERSING CLAMPING INSERTS. (2 INSERTS SUPPLIED)
- 3 CABLE CLAMPING AREA ADJUSTABLE FROM .010 TO .161 SQ IN BY CHANGING CLAMPING INSERTS. (4 INSERTS SUPPLIED, -4 ONLY)
- 4 .453 MAXIMUM CABLE OUTSIDE DIAMETER.
- 5 BULK PACKAGED KITS TO BE ORDERED IN MULTIPLES OF 200 ONLY.
- 6 NON-HEXAVALENT CHROMATE FINISH.
- 7 OBSOLETE PARTS: OBSOLETE CIS STREAMLINING PER D.RENAUD/D.SINISI



6	INDIVIDUAL	1-206070-1
2 6 5	BULK	1-206070-0
2 6 7	OBSOLETE SMALL PACK	<del>206070-9</del>
2 6	INDIVIDUAL	206070-8
6 7	OBSOLETE INDIVIDUAL	<del>206070-7</del>
6 7	OBSOLETE SMALL PACK	<del>206070-6</del>
	OBSOLETE BULK	<del>206070-4</del>
6 2	SUPERSEDED BY 1-206070-0	206070-3
6 2	SUPERSEDED BY 206070-8	206070-1

PACKAGING	PART NUMBER
-----------	-------------

THIS DRAWING IS A CONTROLLED DOCUMENT.		DWN A GRAFF 4/23/91	TE Connectivity	
DIMENSIONS: INCHES		CHK W.G.LENKER 7-22-92	NAME	
TOLERANCES UNLESS OTHERWISE SPECIFIED:		APVD	CABLE CLAMP KIT, STANDARD, SHELL SIZE 17, CPC	
0 PLC ± -	1 PLC ± -	PRODUCT SPEC	SIZE	
2 PLC ± -	3 PLC ± -	108-10024	CAGE CODE	
4 PLC ± -	ANGLES ± -	APPLICATION SPEC	DRAWING NO	
MATERIAL THERMOPLASTIC	FINISH	WEIGHT	RESTRICTED TO	
			A3 00779 C-206070	
CUSTOMER DRAWING			SCALE NTS	SHEET 1 of 1
			REV N3	