

4

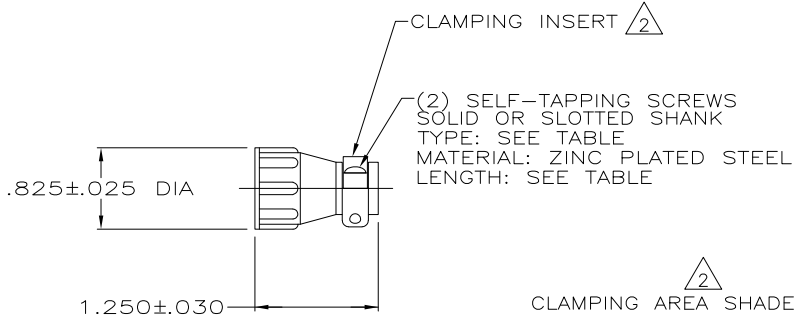
3

2

1

THIS DRAWING IS UNPUBLISHED. RELEASED FOR PUBLICATION
 © COPYRIGHT - By - ALL RIGHTS RESERVED.

LOC		DIST		REVISIONS			
P	LTR	DESCRIPTION		DATE	DWN	APVD	
	U4	REVISED PER ECO-11-004587		11MAR11	RK	HMR	



- 1 PARTS PACKAGED UNASSEMBLED.
- 2 CABLE CLAMPING AREA ADJUSTABLE FROM .004 TO .055 SQ IN BY REVERSING CLAMPING INSERTS.
- 3 .329 MAXIMUM CABLE OUTSIDE DIAMETER.
- 4 BULK PACKAGED KITS TO BE ORDERED IN MULTIPLES OF 400 ONLY.
- 5 OBSOLETE PART NUMBER.
- 6 STAINLESS STEEL (NON MAGNETIC).
- 7 CABLE CLAMP WITH NON-MAGNETIC STAINLESS STEEL SCREWS.
- 8 ZINC PLATED STEEL, NON-HEXAVALENT CHROMATE.
- 9 OBSOLETE PARTS: OBSOLETE CIS STREAMLINING PER D.RENAUD/D.SINISI

4	BULK	6	.50 ⁺ .00 _{-.05}	#5-20	1-206062-7
	INDIVIDUAL	8	.38 ⁺ .00 _{-.05}	#5-20	1-206062-6
4	BULK	8	.38 ⁺ .00 _{-.05}	#5-20	1-206062-5
	INDIVIDUAL	8	.50 ⁺ .00 _{-.05}	#5-20	1-206062-4
	INDIVIDUAL	8	.62 ⁺ .00 _{-.05}	#5-20	1-206062-3
7	INDIVIDUAL	6	.50 ⁺ .00 _{-.05}	#5-20	1-206062-2
SUPERSEDED BY 1-206062-3		8	.62 ⁺ .00 _{-.05}	#5-20	1-206062-1
9	OBSOLETE	8	.38 ⁺ .00 _{-.05}	#5-20	1-206062-0
AMP BRAZIL USE ONLY			12mm ⁺ .8 _{-.8}	3mm-20	5 206062-9
AMP BRAZIL USE ONLY			10mm ⁺ .8 _{-.8}	3mm-20	5 206062-8
SUPERSEDED BY 1-206062-7		4	.50 ⁺ .00 _{-.05}	#5-20	206062-4
SUPERSEDED BY 1-206062-4			.50 ⁺ .00 _{-.05}	#5-20	206062-3
SUPERSEDED BY 1-206062-5		4	.38 ⁺ .00 _{-.05}	#5-20	206062-2
SUPERSEDED BY 1-206062-6			.38 ⁺ .00 _{-.05}	#5-20	206062-1

PACKAGING	SCREW FINISH	SCREW LENGTH	SCREW TYPE	PART NUMBER
THIS DRAWING IS A CONTROLLED DOCUMENT.				
DIMENSIONS: INCHES		TOLERANCES UNLESS OTHERWISE SPECIFIED:		
0 PLC		± -		
1 PLC		± -		
2 PLC		± -		
3 PLC		± -		
4 PLC		± -		
ANGLES		± -		
MATERIAL: THERMOPLASTIC		FINISH: -		
DWN: A GRAFF 4/28/91		CHK: W.G.LENKER 7-22-92		
APVD: -		NAME: -		
PRODUCT SPEC: -		APPLICATION SPEC: -		
WEIGHT: -		SIZE: A3		
CUSTOMER DRAWING		CAGE CODE: 00779		
		DRAWING NO: C-206062		
		RESTRICTED TO: -		
		SCALE: NTS		
		SHEET: 1 of 1		
		REV: U4		