

SAC-3P-M12Y/2XM12FS PE

Order No.: 1683455

<http://eshop.phoenixcontact.de/phoenix/treeViewClick.do?UID=1683455>Y-distributor, 3-pos. +PE, straight connector M12 on 2 x straight
socket M12**Commercial data**

EAN	4017918166922
Pack	5 pcs.
Customs tariff	85366990
Weight/Piece	0.02828 KG
Catalog page information	Page 104 (PC-2009)

Product notesWEEE/RoHS-compliant since:
02/13/2006

<http://www.download.phoenixcontact.com>
Please note that the data given here has been taken from the online catalog. For comprehensive information and data, please refer to the user documentation. The General Terms and Conditions of Use apply to Internet downloads.

Technical data**General data**

Nominal current I_N	4 A
Nominal voltage U_N	60 V
Number of positions	3
Volume resistance	$\leq 5 \text{ m}\Omega$
Insulation resistance	$\geq 100 \text{ M}\Omega$

Ambient temperature (operation)	-25 °C ... 90 °C
---------------------------------	------------------

General characteristics

Coding	A - standard
Surge voltage category	II
Pollution degree	3
Degree of protection	IP65/IP68/IP69K
Contact material	CuZn
Contact surface material	Ni/Au
Contact carrier material	TPU GF
Material of grip body	TPU, hardly inflammable, self-extinguishing
Material, knurls	Zinc die-cast, (nickel-plated)
Sealing material	NBR
Status display	No

Certificates / Approvals



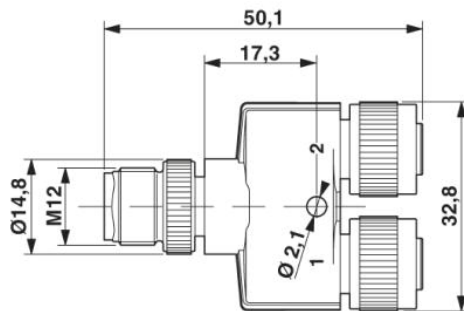
Certification

CUL Listed, GOST, UL Listed

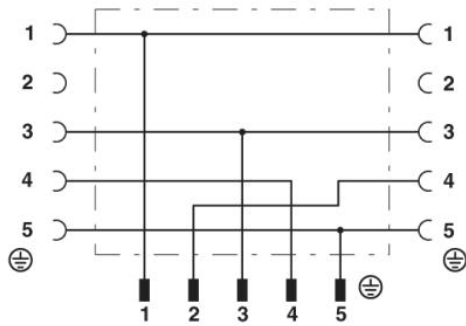
Diagrams/Drawings

Dimensioned drawing

Plug M12 x 1, Y distributor

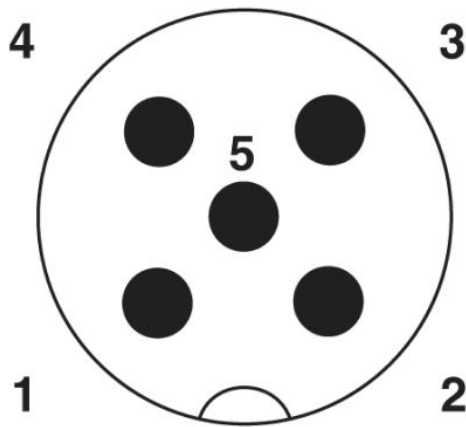


Circuit diagram

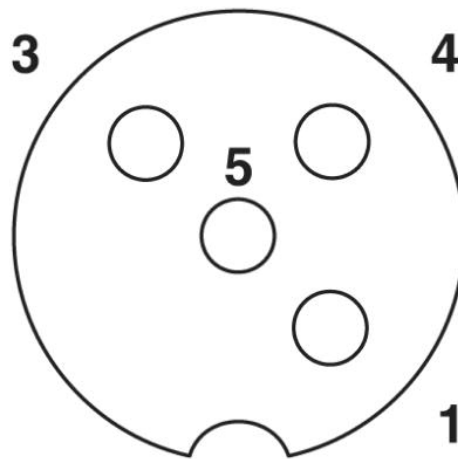


Contact assignment of the M12 Y-distributor

Schematic diagram



Pin assignment M12 male connector, 5-pos., A-coded, male side



Pin assignment socket M 12, 3-pos. + PE

Address

PHOENIX CONTACT Inc., USA
586 Fulling Mill Road
Middletown, PA 17057, USA
Phone (800) 888-7388
Fax (717) 944-1625
<http://www.phoenixcon.com>



© 2010 Phoenix Contact
Technical modifications reserved;