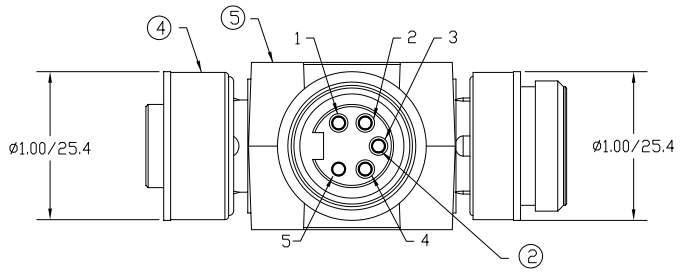
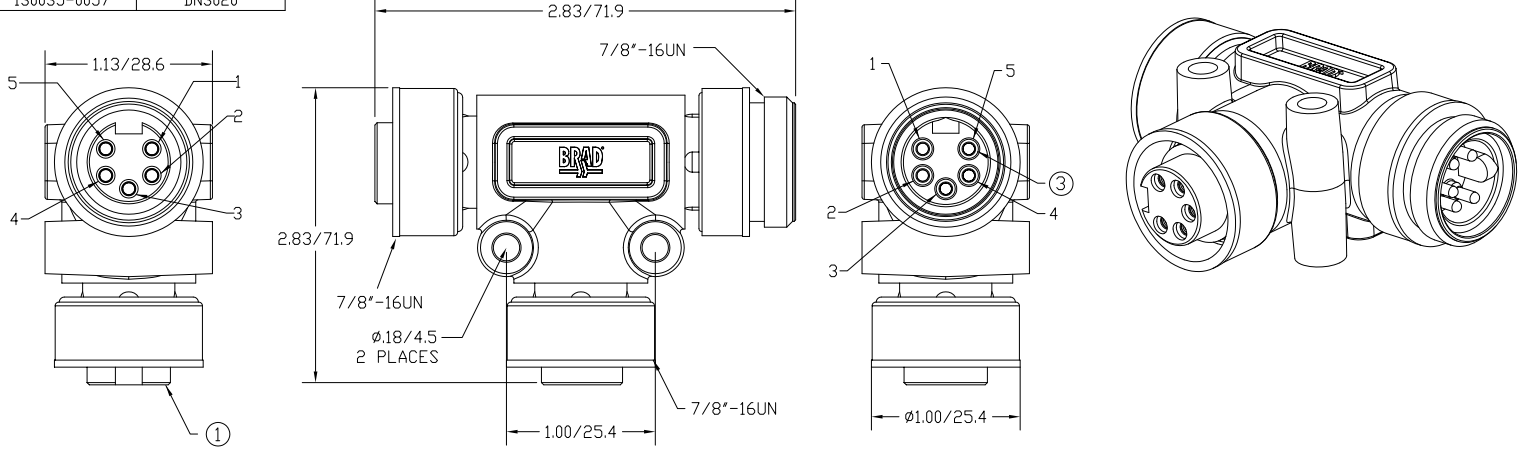
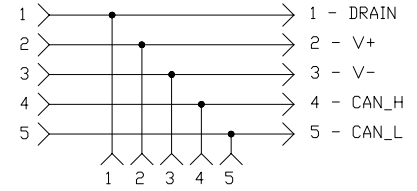


13 12 11 10 9 8 7 6 5 4 3 2 1

MATERIAL NUMBER	OLD PART NUMBER
130035-0057	DN3020



SCHEMATIC



VOLTAGE RATING	600 VAC/VDC
AMPERAGE RATING	8 AMPS
PROTECTION	IP67
OPERATING TEMPERATURE	-20°C TO 80°C
UL CERTIFICATIONS	UL RECOGNIZED, FILE NO. E152210
CSA CERTIFICATIONS	CSA CERTIFIED, FILE NO. LR6837

ITEM	COMPONENT	MATERIAL	FINISH
1	INSERT	TPE	GRAY
2	CONTACT SOCKET	COPPER ALLOY	GOLD OVER NICKEL
3	CONTACT PIN	COPPER ALLOY	GOLD OVER NICKEL
4	COUPLING NUT	ZINC DIE CAST	BLACK E-COATED
5	OVERMOLD	TPE	GRAY

RLSD DRAWING
 EC NO: WMA20090576
 DRAWN: BWOODMAN 3/4/08
 CHKD: KJ
 APPR: JHMURPHY 20090331
 DESCRIPTION: MINI-CHANGE 5-POLE TEE DEVICENET
 REV: A

QUALITY SYMBOL	GENERAL TOLERANCES (UNLESS SPECIFIED)	
	mm	INCH
▽=0	4 PLACES ±---	±---
▽=0	3 PLACES ±---	±---
	2 PLACES ±---	±.01
	1 PLACE ±0.3	±---
	ANGULAR ±---°	
	DRAFT WHERE APPLICABLE MUST REMAIN WITHIN DIMENSIONS	

DRAWN BY: BW	DATE: 2009/03/04	TITLE: MINI-CHANGE 5-POLE TEE DEVICENET	SCALE: ---	DESIGN UNITS: ---	THIRD ANGLE PROJECTION
CHECKED BY: JM	DATE: 2009/03/04				
APPROVED BY: ---	DATE: ---				
MATERIAL NO. 1300350057	DOCUMENT NO. SD-130035-002	SHEET NO. 1 OF 1			
THIS DRAWING CONTAINS INFORMATION THAT IS PROPRIETARY TO MOLEX INCORPORATED AND SHOULD NOT BE USED WITHOUT WRITTEN PERMISSION					

13 12 11 10 9 8 7 6 5 4 3 2 1