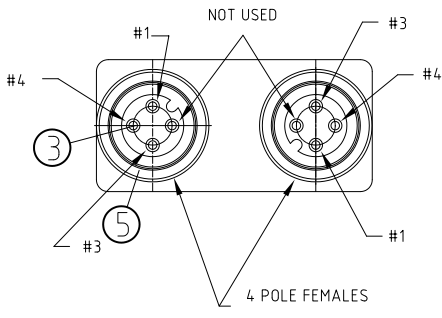
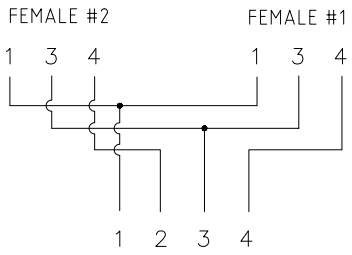
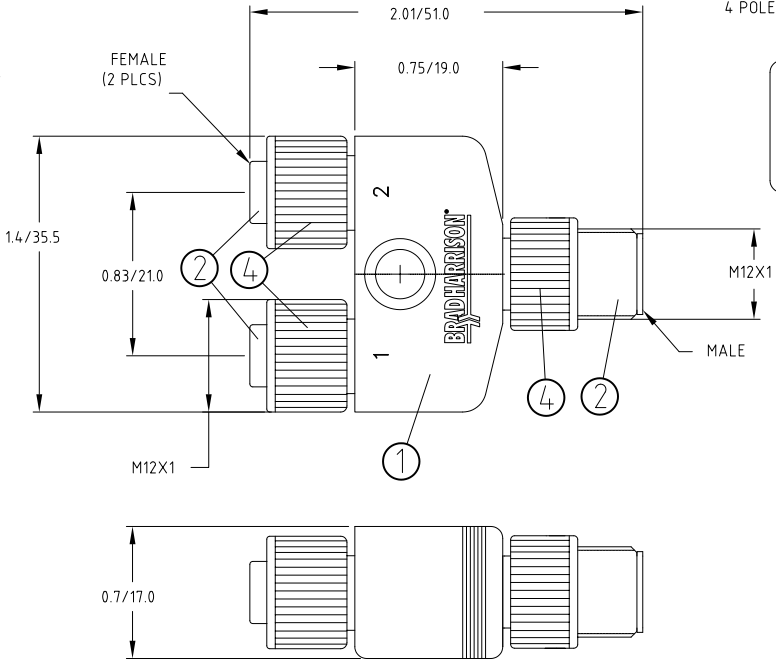
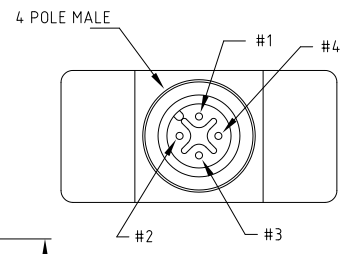


10 9 8 7 6 5 4 3 2 1

FRONT VIEW



FRONT VIEW



MALE WIRE DIAGRAM

MATERIAL NUMBER	ENGINEERING NUMBER	OVERMOLD COLOR
1200680169	81590R	GREY
1200680170	81594R	YELLOW

ITEM	COMPONENT	MATERIAL	FINISH
5	O-RING	VITON	RED
4	COUPLER	BRASS	NICKEL PLATED
3	PIN CONTACT	COPPER ALLOY	GOLD OVER NICKEL
2	INSERT	PUR	BLACK
1	OVERMOLD	TPE	SEE TABLE

DESCRIPTION EC NO: WEU/2010-0371 DRAWN: BBRAUCH 2010/02/17 CHK'D: NS APPR: NSTAUDIG 2010/02/18 REV: 1	QUALITY SYMBOLS	GENERAL TOLERANCES (UNLESS SPECIFIED)	DIMENSION STYLE	SCALE	DESIGN UNITS	THIRD ANGLE PROJECTION
	▽ = 0 ∇ = 0	4 PLACES ±--- ±--- 3 PLACES ±--- ±--- 2 PLACES ±--- ±0.01 1 PLACE ±0.3 ±--- ANGULAR ± --- °	IN/MM DRAWN BY: BBRAUCH DATE: 2010/02/17 CHECKED BY: NS DATE: 2010/02/18 APPROVED BY: NSTAUDIG DATE: 2010/02/18	2:1	METRIC	M12TV-5P-M/FE-FE --- --- MOLEX INCORPORATED DOCUMENT NO. SD-120068-034 SHEET NO. 1 OF 1
	DRAFT WHERE APPLICABLE MUST REMAIN WITHIN DIMENSIONS		SEE TABLE	THIS DRAWING CONTAINS INFORMATION THAT IS PROPRIETARY TO MOLEX INCORPORATED AND SHOULD NOT BE USED WITHOUT WRITTEN PERMISSION		
	SIZE A3					

10 9 8 7 6 5 4 3 2 1