

4

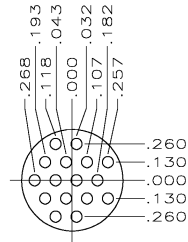
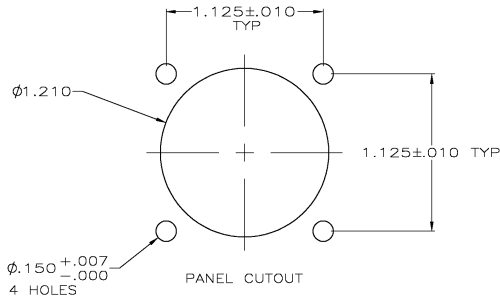
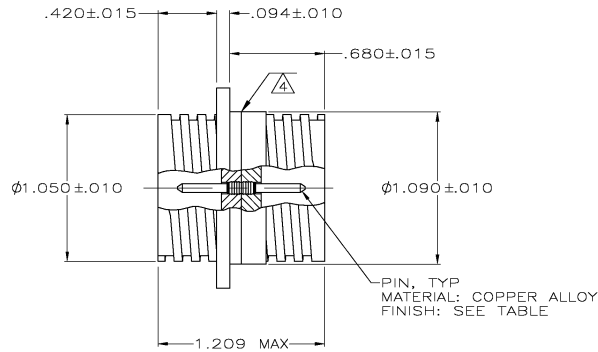
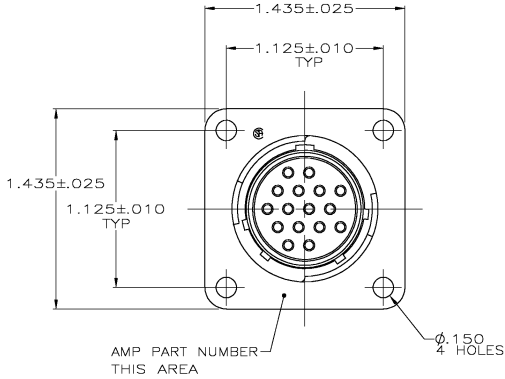
3

2

1

THIS DRAWING IS UNPUBLISHED. RELEASED FOR PUBLICATION
 © COPYRIGHT BY TYCO ELECTRONICS CORPORATION. ALL RIGHTS RESERVED.

LOC		DISTR		REVISIONS			
P	LN	DESCRIPTION	DATE	BY	APP'D		
	G	REVISED PER 023B-054B-04	6/22/04	SS	SH		



NOTES:

- 1 GOLD OVER NICKEL PLATED
- 2 TIN PLATED.
- 3. CONNECTORS ARE FULLY LOADED WITH 16 SIZE 16 PIN CONTACTS PERMANENTLY INSTALLED.
- 4 .012 MAXIMUM GAP PERMISSIBLE BETWEEN CONNECTOR HALVES.

OBSOLETE	206552-2
	206552-1
CONTACT FINISH	PART NUMBER

THIS DRAWING IS A CONTROLLED DOCUMENT.		DW: J. GALLUCCI BG 3-22-91		Tyco Electronics Corporation	
DIMENSIONS: INCHES		CHK: W. G. LENKER 4-13-92		Harrisburg, Pa 17105-3608	
TOLERANCES UNLESS OTHERWISE SPECIFIED:		PRODUCT SPEC: 108-10024		RECEPTACLE ASSEMBLY, FEED THRU, SERIES 1, 17-16, CPC	
0.0005 ±		APPLICATION SPEC: -		SIZE: A2	
0.001 ±		MATERIAL: RCPT: THERMOPLASTIC		CASE CODE: 00779	
0.002 ±		FINISH: SEE TABLE		DRAWING NO: 206552	
0.005 ±		WEIGHT: -		RESTRICTED TO: -	
0.010 ±		CUSTOMER DRAWING		SCALE: 2:1	
ANGLES: 0 ±		SHEET: 1 of 1		REV: G	

AMP 1421-9 REV 31 MAR 2000

206552

A