

4

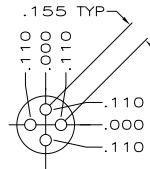
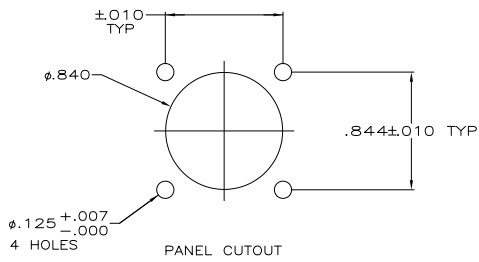
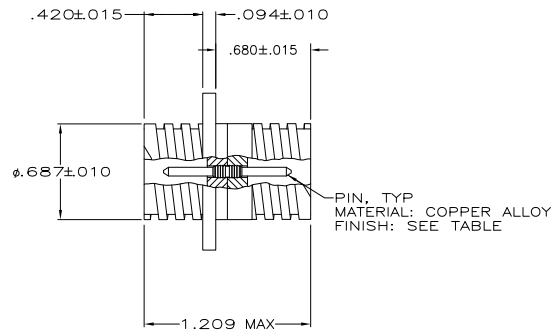
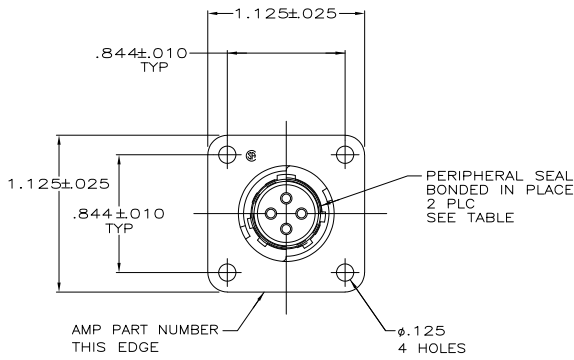
3

2

1

THIS DRAWING IS UNPUBLISHED. RELEASED FOR PUBLICATION
 © COPYRIGHT BY TYCO ELECTRONICS CORPORATION. ALL RIGHTS RESERVED.

LOC	DIST	REVISIONS					
FT	0	P	LR	DESCRIPTION	DATE	BY	APPD
		F		REVISED PER DG38-0436-02	8/12/02	SS	SH
		F1		REVISED PER ECO-09-020935	10SEP09	KK	AEG



NOTES:

- 1 GOLD PER MIL-G-45204 OVER NICKEL PER QQ-N-290.
- 2 TIN PER MIL-T-10727.
- 3 ACCOMMODATES 4 SIZE 16 PIN CONTACTS, PERMANENTLY INSTALLED.
- 4 OBSOLETE PARTS: OBSOLETE CIS STREAMLINING PER D.RENAUD/D.SINISI

OBSOLETE	YES(2)	1	206518-5
	NO		206518-2
OBSOLETE	NO	1	206518-1
	PERIPHERAL SEAL		CONTACT FINISH

THIS DRAWING IS A CONTROLLED DOCUMENT.		BY: J. GALLUCCI BC	DATE: 5-22-91	Tyco Electronics Corporation	
DIMENSIONS: INCHES		CHK: W. G. LENKER	DATE: 4-13-92	Harrisburg, PA 17105	
MATERIAL: RCP: THERMOPLASTIC COLOR: BLACK		APPD: -	NAME: -	Tyco Electronics	
FINISH: SEE TABLE		PRODUCT SPEC: 108-10024	APPLICATION SPEC: -	RECEPTACLE ASSEMBLY, FEED THRU, SERIES 1, 11-4, CPC	
		WEIGHT: -	SIZE: A2	CAGE CODE: 00779	DRAWING NO: C=206518
		CUSTOMER DRAWING	SCALE: 2:1	SHEET: 1 OF 1	REV: F1

AMP 1471-9 REV 31MM2000

206518

A