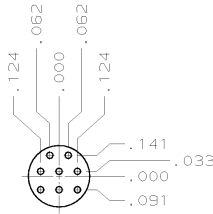
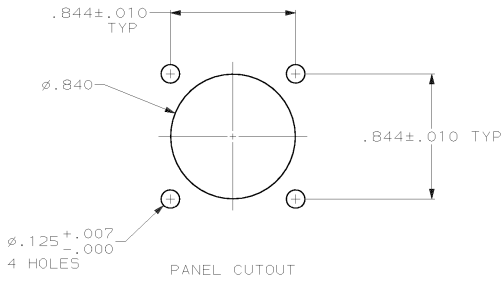
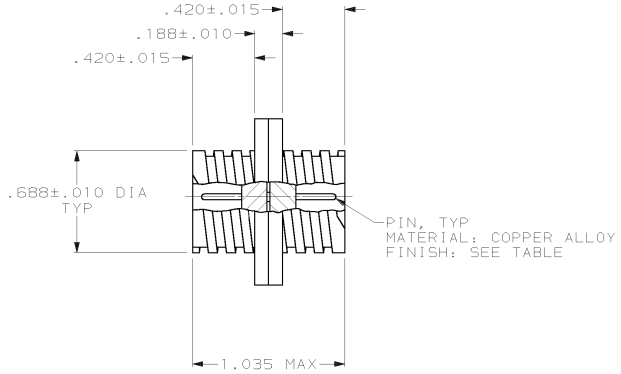
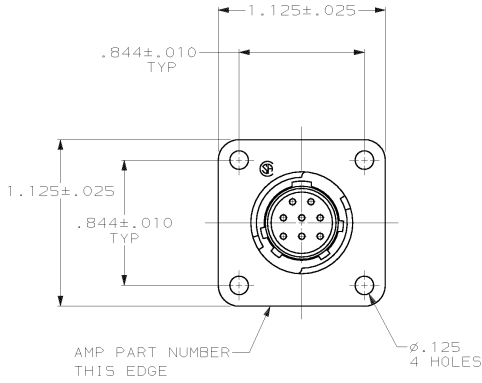


DRAWING MADE IN THIRD ANGLE PROJECTION
 THIS DRAWING IS UNPUBLISHED. RELEASED FOR PUBLICATION
 © COPYRIGHT 19 BY AMP INCORPORATED. ALL INTERNATIONAL RIGHTS RESERVED.

LOC	DIST	ZONE	LTR	DESCRIPTION	DATE	APPD
FT	0	P	F	REVISE PER ECN 0638-0261-00	13JUL00	SU/MC



- 1 GOLD PER MIL-G-45204 OVER NICKEL PER QQ-N-290.
- 2 TIN PER MIL-T-10727.
- 3 ACCOMMODATES 8 SIZE 20 PIN CONTACTS, PERMANENTLY INSTALLED.

OBSOLETE		206458-2
		206458-1
CONTACT FINISH		PART NUMBER

DO NOT SCALE PRINT. UNLESS SPECIFIED DIMENSIONS IN INCHES. TOLERANCES ON : 2 PLC DEC ± - 3 PLC DEC ± .005 ANGLES ± -	DR 5-21-91 J GALLUCCI BG CHK 4-13-92 W.G. LENKER APPD 4-13-92 K. BEAVER	AMP Incorporated Harrisburg, PA 17105-3608 RECEPTACLE ASSEMBLY, FEED THRU, SERIES 2, 11-8, CPC
MATERIAL RCPT: THERMOPLASTIC COLOR: BLACK	APPD 4-13-92 C. RHODE PRODUCT SPEC 108-10024	
FINISH SEE TABLE	APPLICATION SPEC -	NAME SIZE CAGE CODE DRAWING NO 00779 206458 SCALE SHEET 2:1 1 OF 1
WEIGHT	-	

CUSTOMER DRAWING

206458

A