

4

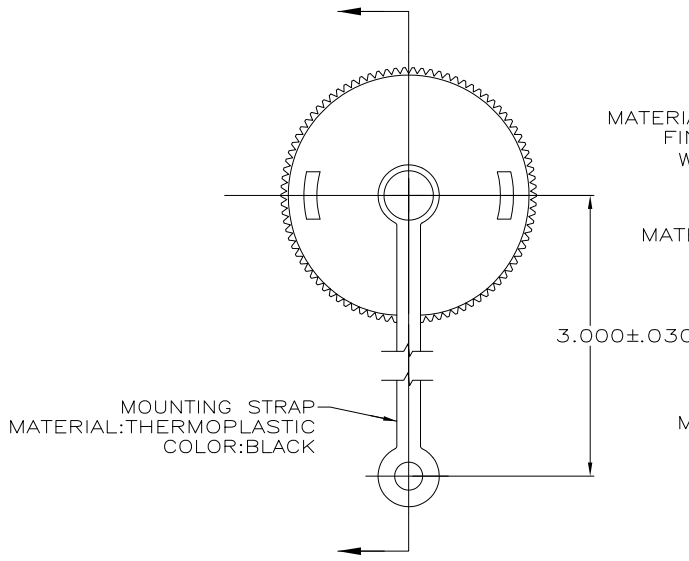
3

2

1

THIS DRAWING IS UNPUBLISHED. RELEASED FOR PUBLICATION
 © COPYRIGHT - By - ALL RIGHTS RESERVED.

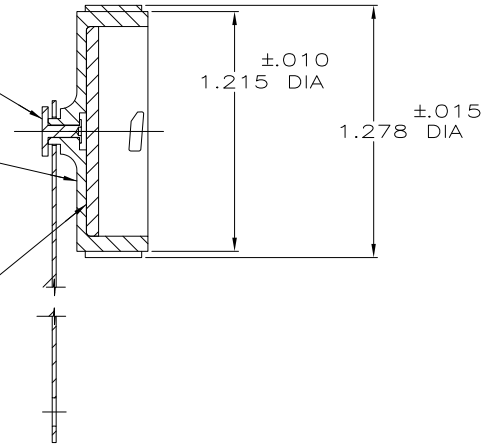
LOC		DIST		REVISIONS			
P	LTR	DESCRIPTION		DATE	DWN	APVD	
	G1	REVISED PER ECO-11-004820		11MAR11	RK	HMR	



RIVET
 MATERIAL: CARBON STEEL
 FINISH: ZINC PLATE
 W/CLEAR CHROMATE

SEALING CAP
 MATERIAL: THERMOPLASTIC
 COLOR: BLACK

SEALING GASKET
 MATERIAL: NEOPRENE
 RUBBER
 SEE TABLE



SUPERCEDED BY 207445-3

YES	YES	207445-3
YES	NO	207445-2
NO	YES	207445-1
ROHS COMPLIANT	SEALING GASKET	PART NUMBER

THIS DRAWING IS A CONTROLLED DOCUMENT.		DWN	S. RIDGLEY	7/30/90	BG	
DIMENSIONS:		CHK	R. STONE	4-26-91	APVD	
INCHES		APVD	K. BEAVER	4-30-91	NAME	
TOLERANCES UNLESS OTHERWISE SPECIFIED:		PRODUCT SPEC		TE Connectivity		
0 PLC	± -	APPLICATION SPEC		SEALING CAP ASSY, SIZE 17, CPC		
1 PLC	± -	WEIGHT		SIZE		
2 PLC	± -	MATERIAL		CAGE CODE		
3 PLC	± .005	SEE CALLOUTS		DRAWING NO		
4 PLC	± -	FINISH		RESTRICTED TO		
ANGLES	± -	SEE CALLOUTS		A3 00779 C-207445		
MATERIAL		SEE CALLOUTS		CUSTOMER DRAWING		SCALE
FINISH		SEE CALLOUTS		SCALE		SHEET
SEE CALLOUTS		SEE CALLOUTS		SCALE 2:1		1 OF 1
SEE CALLOUTS		SEE CALLOUTS		SCALE 2:1		REV G1