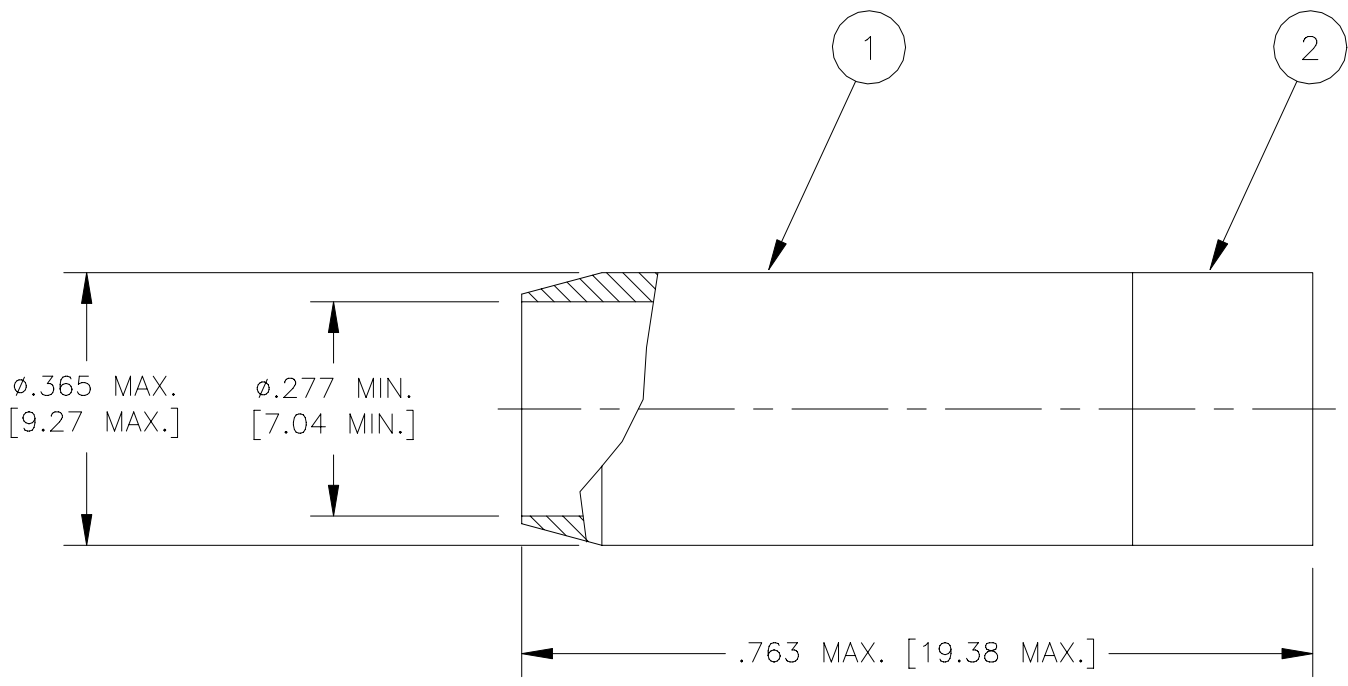


THIS DRAWING AND THE INFORMATION SET FORTH HERE-
ON ARE THE PROPERTY OF TYCO ELECTRONICS,
AND ARE TO BE HELD IN TRUST AND CONFIDENCE. PUB-
LICATION, DUPLICATION, DISCLOSURE, OR USE FOR ANY
PURPOSE NOT EXPRESSLY AUTHORIZED IN WRITING BY
TYCO ELECTRONICS IS PROHIBITED.

| REVISIONS | | | |
|-----------|--|-----------|--------------|
| LTR | DESCRIPTION | DATE | APPROVED |
| B | FRANCE/DCR# T-22741 3/30/99 M.HIGGY | 27/SEP/92 | HISTORY FILE |
| C | TRANSLATE AND REDRAW ON CAD PER DCR# T-31799 | May/23/03 | M.HIGGY |

SHORT SEALING GROMMET



NOTES:

1. MATERIAL: ITEM 1, BODY: 30% GLASS FIELD POLYARLENE.
ITEM 2, SEAL: FLUOROSILICONE.
2. CABLE ACCOMMODATION: ϕ .125/ ϕ .185 INCHES (3.20mm/4.70mm)
3. THIS GROMMET IS DESIGNED FOR USE WITH A RAYCHEM SIZE 8 TRI-AXIAL SOLDERCONTACT CONTACT. SIMILAR TO DK-602-0156-X, DK-602-0156-N-X, DK-602-0157-X AND DK-602-0159-N-X.
4. PROPER FIT OF GROMMET IS DEPENDENT UPON A SPECIFIC CONNECTOR PRODUCT. CONSULT RAYCHEM FOR APPLICATION AND USE OF THIS GROMMET.

SPECIFICATION CONTROL DRAWING

| | | | | |
|--|--|---|---|--------------|
| UNLESS OTHERWISE SPECIFIED DIMENSIONS ARE IN INCHES. METRIC DIMENSIONS ARE IN BRACKETS. DECIMALS .XXX \pm .010 [— mm] .XX \pm .03 [— mm] ANGLES .X \pm 1° WEIGHT — lbs [— g] | DRAWN ZS.O. May/23/03 | | TYCO ELECTRONICS 300 Constitution Drive Menlo Park, CA. 94025 USA | |
| | CHECKED | | | |
| | APPROVED M.HIGGY May/23/03 CAD NAME: T31799.DWG RPN. NO. | TITLE SHORT SEALING GROMMET FOR MIL-C-38999 CONNECTOR SIZE 8 CAVITY | | |
| | THIRD ANGLE PROJECTION | SIZE A CODE IDENT. NO. 06090 DWG. NO. D-600-0125 DO NOT SCALE THIS DRAWING | REV C SCALE: NONE | SHEET 1 OF 1 |