

Thermofit Molded Parts Specification Control Drawing

Part Number : 222D121 thru 196
Description : Boot, 90°, With Lip

NOTES

- All dimensions are in $\frac{\text{inches}}{[\text{millimeters}]}$
- Dimensions appearing in table are as follows:
 - As Supplied
 - After Unrestricted Recovery
- Coating is optional. As supplied dimensions appearing in table are for uncoated parts. When coating is added, entry diameters will be reduced by .06 max.
- Molding ports are optional. When -00 modification number is specified molding ports will be located as shown.
- * -8 material is not available on 222D185 and 222D196.

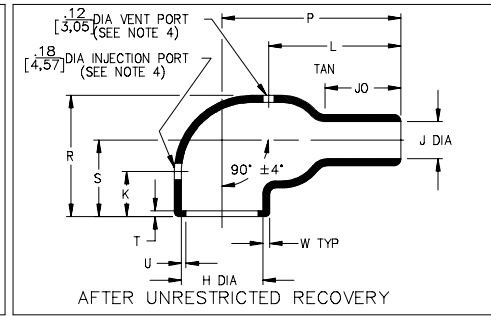
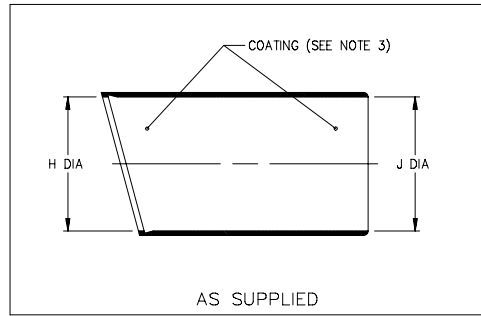


TABLE OF DIMENSIONS

| PART NUMBER | H | | | J | | | | P ±10% | R Ref b | S Ref b | T Ref b | U Ref b | JO ±10% | W ±20% | K ±10% | L ±10% |
|-------------|---------------------|----------------|----------------|---------------------|-----------------------|-----------------------|----------------|-----------------|----------------|----------------|---------------|---------------|----------------|--------------|----------------|----------------|
| | Min a -8,-100 | Min a | Max b | Min a -8,-100 | Min a -3,-4,-25 | Min a -5,-6,-12 | Max b | | | | | | | | | |
| 222D121 | .94 [24,0] | .92 [23,4] | .41 [10,4] | .55 [14,0] | .92 [23,4] | .49 [12,4] | .22 [5,6] | .84 [21,3] | .89 [22,6] | .65 [16,5] | .12 [3,0] | .04 [1,0] | .23 [5,8] | .05 [1,3] | .60 [15,2] | .58 [14,7] |
| 222D132 | 1.18 [30,0] | 1.12 [28,4] | .56 [14,2] | .59 [15,0] | 1.12 [28,4] | .58 [14,7] | .26 [6,6] | 1.33 [33,8] | 1.07 [27,2] | .76 [19,3] | .12 [3,0] | .04 [1,0] | .65 [15,5] | .06 [1,5] | .75 [19,1] | .98 [24,9] |
| 222D142 | 1.22 [31,0] | 1.22 [31,0] | .70 [17,8] | .71 [18,0] | 1.22 [31,0] | .63 [16,0] | .28 [7,1] | 1.44 [36,6] | 1.22 [31,0] | .83 [21,1] | .12 [3,0] | .04 [1,0] | .50 [12,7] | .07 [1,8] | .75 [19,1] | .98 [24,9] |
| 222D152 | 1.42 [36,0] | 1.42 [36,0] | .88 [22,4] | .83 [21,0] | 1.42 [36,0] | .73 [18,5] | .33 [8,4] | 1.72 [43,7] | 1.38 [35,1] | .90 [22,9] | .12 [3,0] | .04 [1,0] | .57 [14,5] | .07 [1,8] | .75 [19,1] | 1.18 [30,0] |
| 222D163 | 1.69 [43,0] | 1.68 [42,7] | 1.11 [28,2] | .98 [25,0] | 1.68 [42,7] | .87 [22,1] | .39 [9,9] | 2.11 [53,6] | 1.73 [43,9] | 1.14 [29,0] | .12 [3,0] | .07 [1,7] | .69 [17,5] | .08 [2,0] | .76 [19,3] | 1.30 [33,0] |
| 222D174 | 2.05 [52,0] | 2.04 [51,8] | 1.38 [35,1] | 1.54 [39,0] | 2.04 [51,8] | 1.39 [35,3] | .62 [15,7] | 3.07 [78,0] | 2.08 [52,8] | 1.32 [33,5] | .12 [3,0] | .07 [1,7] | 1.32 [33,5] | .13 [3,3] | 1.00 [25,4] | 2.12 [53,8] |
| * 222D185 | 2.60 [66,0] | 2.60 [66,0] | 1.75 [44,5] | 1.65 [42,0] | 2.60 [66,0] | 1.80 [45,7] | .80 [20,3] | 3.84 [97,5] | 2.60 [66,0] | 1.64 [41,7] | .12 [3,0] | .08 [2,0] | 1.58 [40,1] | .15 [3,8] | 1.00 [25,4] | 2.80 [71,1] |
| * 222D196 | 3.22 [81,8] | 3.22 [81,8] | 2.38 [60,5] | 2.25 [57,2] | 3.22 [81,8] | 2.25 [57,2] | 1.00 [25,4] | 4.64 [117,9] | 3.30 [83,8] | 2.03 [51,6] | .12 [3,0] | .08 [2,0] | 1.50 [38,1] | .16 [4,1] | 1.00 [25,4] | 3.15 [80,0] |

Raychem Interconnect
a division of **tyco ELECTRONICS**
300 Constitution Drive, Menlo Park, CA 94025

Revision : R
Date : 10/20/00

Part Number : 222D121 thru 196
Description : Boot, 90°, With Lip

Thermofit Molded Parts Specification Control Drawing

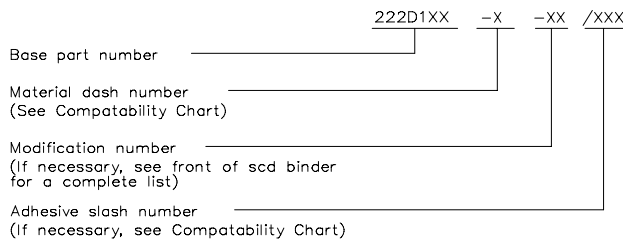
Part Number : 222D121 thru 196
Description : Boot, 90°, With Lip

COMPATABILITY CHART

| MATERIAL DASH NO. | MATERIAL DESCRIPTION | RT SPEC | COATING SLASH NO. | COATING S NO. | COATING DESCRIPTION |
|-------------------|---------------------------------------|---------|-------------------|----------------------|---------------------|
| -3 | Polyolefin, Semi-rigid | RT-301 | /42;/86;/180 | S-1017;S-1048;S-1030 | Adhesive |
| -4 | Polyolefin, Flexible | RT-1304 | /42;/86;/180 | S-1017;S-1048;S-1030 | Adhesive |
| -5 | Elastomer, Flexible | RT-501 | N/A | | |
| -6 | Silicone | RT-602 | N/A | | |
| -8 | Polyolefin, Space | RT-1308 | N/A | | |
| -12 | *VITON, Flexible | RT-1312 | N/A | | |
| -25 | Elastomer, Fluid Resistant | RT-1325 | /86;/225 | S-1048;S-1206 | Adhesive |
| -100 | Polyolefin, Semi-flexible ZEROHAL™ | RT-1323 | /86;/180;/184 | S-1048;S-1030 | Adhesive |

*VITON is a Registered Trademark of Dupont

ORDERING INFORMATION



THIS DRAWING IS SUBJECT TO CHANGE WITHOUT NOTICE; CONSULT YOUR NEAREST FIELD REPRESENTATIVE FOR CURRENT REVISION

Raychem Interconnect
a division of **tyco ELECTRONICS**
300 Constitution Drive, Menlo Park, CA 94025

Revision : R
Date : 10/20/00

Part Number : 222D121 thru 196
Description : Boot, 90°, With Lip

CAD FILE MP00112