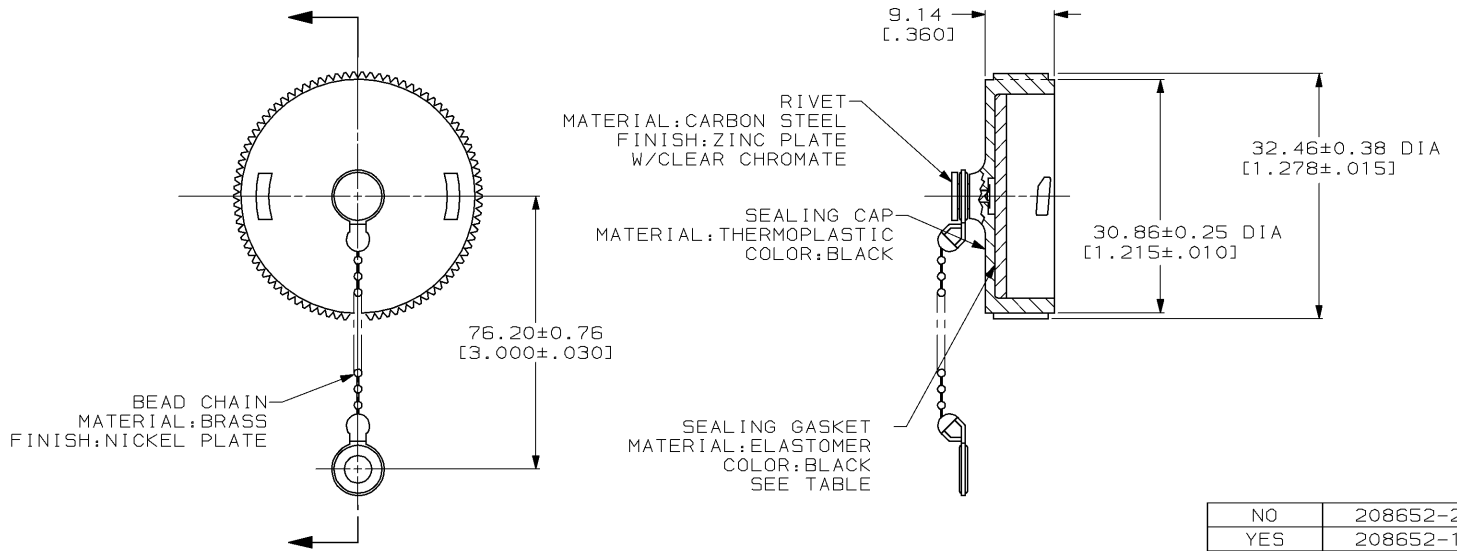


DRAWING MADE IN THIRD ANGLE PROJECTION

THIS DRAWING IS UNPUBLISHED. RELEASED FOR PUBLICATION, 19 .  
 © COPYRIGHT 19 BY AMP INCORPORATED. ALL INTERNATIONAL RIGHTS RESERVED.

LOC	DIST	P	F	ZONE	LTR	REVISIONS	DATE	APPD
FT	4					D REDRAWN & REV PER EC 0020-680-93	14 AUG 97	KD
						E ADDED -2	14 AUG 97	KD
						PER EC 0320-273-97		



NO	208652-2
YES	208652-1
SEALING GASKET	PART NUMBER

DO NOT SCALE PRINT. UNLESS SPECIFIED DIMENSIONS IN mm (INCHES) TOLERANCES ON: 2 PLC DEC ± 0.13(.005) 3 PLC DEC ± - ANGLES ± -		DR 6-10-93 D. BROCKWAY	<b>AMP</b> AMP Incorporated Harrisburg, PA 17105-3608	PART NO	
MATERIAL SEE CALLOUTS		CHK 7-1-93 R. STONE		NAME	
FINISH SEE CALLOUTS		APPD 7-1-93 AL. FRANTUM	SEALING CAP ASSY, SIZE 17, WITH BEAD CHAIN, CPC		
		PRODUCT SPEC	SIZE	CAGE CODE	DRAWING NO
		APPLICATION SPEC	B	00779	C=208652
		WEIGHT	SCALE	2:1	SHEET 1 OF 1

THIS DRAWING IS A CONTROLLED DOCUMENT FOR AMP INCORPORATED. IT IS SUBJECT TO CHANGE AND THE CONTROLLING ENGINEERING ORGANIZATION SHOULD BE CONTACTED FOR THE LATEST REVISION.

AMP 1470-15 REV 3-92

CUSTOMER DRAWING