

4

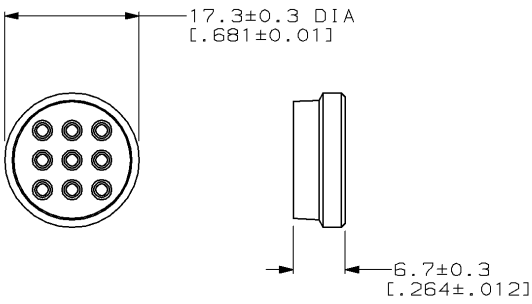
3

2

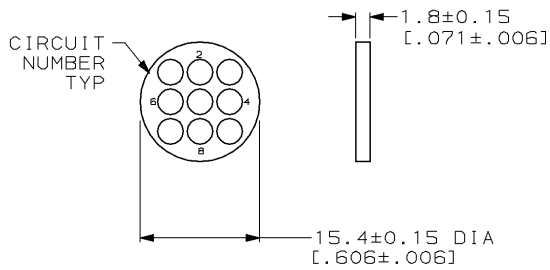
1

THIS DRAWING IS UNPUBLISHED. RELEASED FOR PUBLICATION  
 BY AMP INCORPORATED. ALL RIGHTS RESERVED.

LOC	DIST	REVISIONS					
		P	LTR	DESCRIPTION	DATE	DWN	APVD
BD	35	0		RLSE -1 PER NPR 5429, WAS 95-5029-5	09 OCT 95	-	-
		A		REV PER EC 0002-187-96	23 FEB 96	BC	AF



SEAL  
 MATERIAL: SILICON, BLACK  
 QTY=1



PRESSURE PLATE  
 MATERIAL: NYLON, BLACK  
 QTY=1

1. INSULATION RANGE: 1.90 [0.075] TO 3.18 [0.125] DIA.
2. FOR USE WITH PIN CONTACTS.

213926-1

PART NUMBER

THIS DRAWING IS A CONTROLLED DOCUMENT FOR AMP INCORPORATED. IT IS SUBJECT TO CHANGE AND THE CONTROLLING ENGINEERING ORGANIZATION SHOULD BE CONTACTED FOR THE LATEST REVISION.		DWN W.G.LENKER 09 OCT 95	<b>AMP</b> AMP Incorporated Harrisburg, PA 17105-3608
DIMENSIONS: mm [INCHES]		CHK R.STONE 11 OCT 95	
TOLERANCES UNLESS OTHERWISE SPECIFIED:		APVD A.ERANTUM 11 OCT 95	NAME SEAL KIT, R.H., UNASSEMBLED, SIZE 13-9, CPC
0 PLC ±-		PRODUCT SPEC 108-1579	APPLICATION SPEC
1 PLC ±-		APPLIC. SPEC	SIZE A3
2 PLC ±-		WEIGHT	CAGE CODE 00779
3 PLC ±-		FINISH	DRAWING NO 213926
4 PLC ±-		MATERIAL SEE CALLOUTS	SCALE 2:1
ANGLES ±-		CUSTOMER DRAWING	SHEET 1 OF 1
			REV A

AMP 1470-15 REV 09MAY94

23-FEB-96 12:59:38 omp40973 /home/ssrv026d/dsk01/dep14023/amp40973/edmod