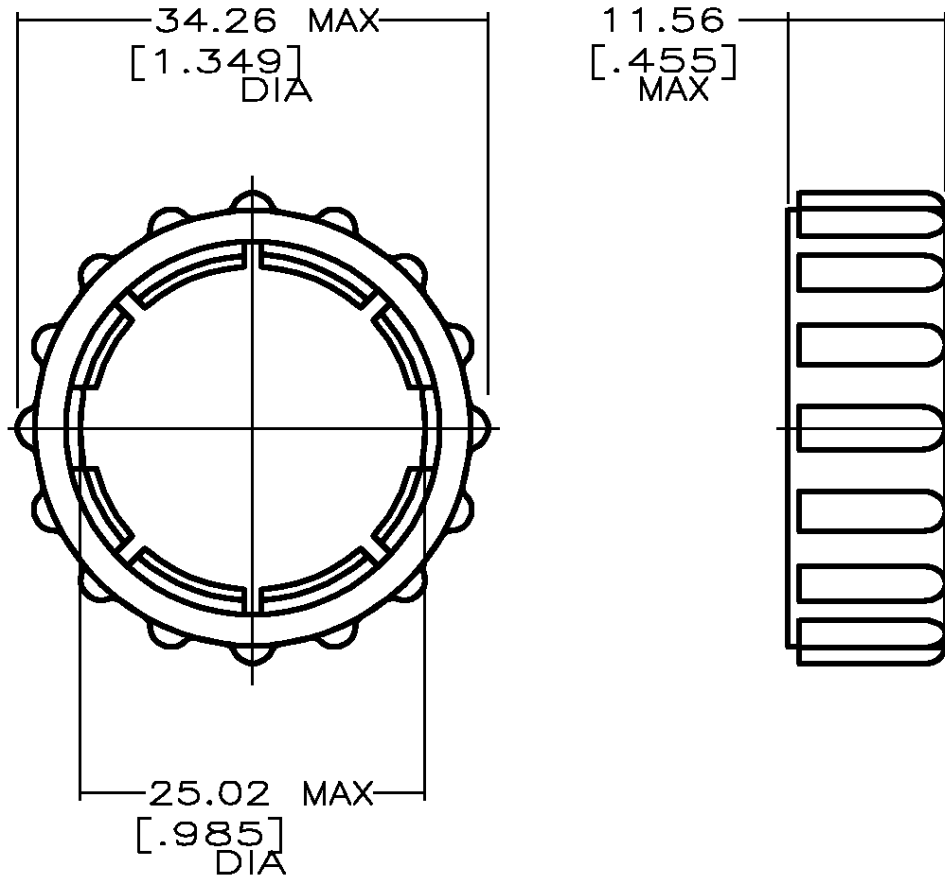


LOG	DIST	REVISIONS			
P	LTR	DESCRIPTION	DATE	DWN	APVD
FT	0	A	REVISED PER OG3B-0605-02	10/31/02	SS SH



THIS DRAWING IS UNPUBLISHED.  
 RELEASED FOR PUBLICATION  
 ALL RIGHTS RESERVED.  
 BY TYCO ELECTRONICS CORPORATION.  
 © COPYRIGHT

BLACK	213582-2
GRAY	213582-1
COLOR	PART NO.

DIMENSIONS: MM  TOLERANCES UNLESS OTHERWISE SPECIFIED: 0 PLC ± - 1 PLC ± - 2 PLC ± - 3 PLC ± - 4 PLC ± - ANGLES ± -	DWN H MOLL 10-5-92 CHK R STONE 10-5-92 APVD - PRODUCT SPEC 108-10024 APPLICATION SPEC - WEIGHT -	MATERIAL POLYPHENYLENE FINISH - <b>tyco</b> <b>Electronics</b> Tyco Electronics Corporation Harrisburg, PA 17105 NAME COUPLING RING, SIZE 17, CPC	SIZE A4 CAGE CODE 00779 DRAWING NO <b>C-213582</b> RESTRICTED TO -
	CUSTOMER DRAWING		SCALE 2:1 SHEET 1 OF 1 REV A