

SCALA NON IMPEGNATIVA
(DO NOT SCALE)
DIMENSIONI IN mm
(DIMENSIONS IN mm)

METRIC

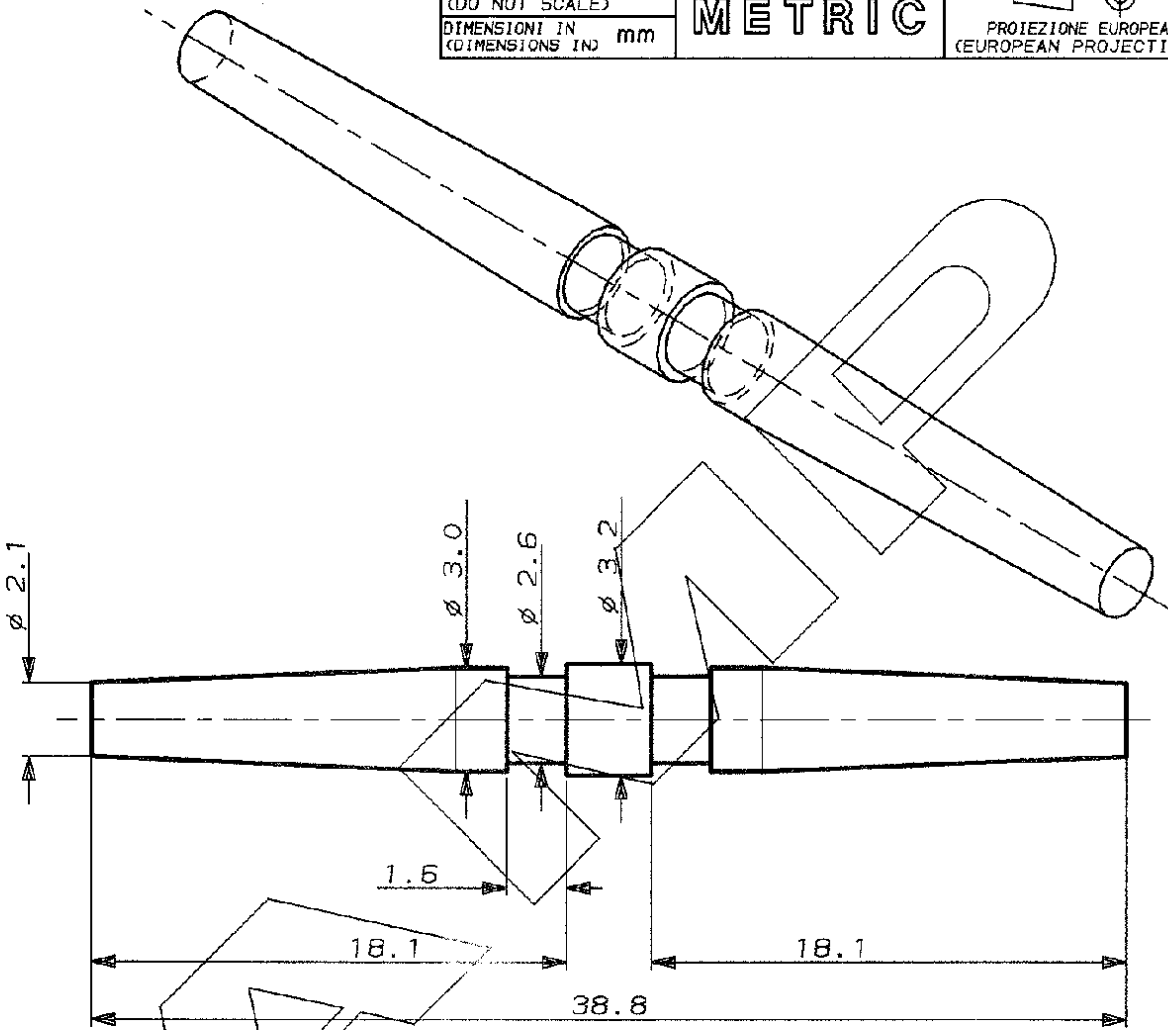
PROIEZIONE EUROPEA
(EUROPEAN PROJECTION)

A

B

C

D



1) - CHIAVETTA DI POLAR. ADATTA PER CAVITA' MULTIMATE
SIZE 16/12 SU CONNETTORI C.P.C. CHE MONTANO CONTATTI FEMMINA.
(KEYING SUITABLE FOR MULTIMATE CAVITY SIZE 16/12
ON C.P.C. MOUNTING PIN CONTACT)

183047-1 AS SHOWN

DISEGNO RISERVATO PER CLIENTE ENEL

GRAY	NYLON	183047-1
FINITURA / COLORE (FINISH / COLOUR)	MATERIALE (MATERIAL)	NUMERO (PART NUMBER)

RESTRICTED CUSTOMER DRAWING FOR REFERENCE ONLY DISEGNO PER CLIENTE SOLO PER RIFERIMENTO

THIS DRAWING IS UNPUBLISHED RELEASE FOR PUBLICATION 19

© COPYRIGHT 1982 BY AMP INCORPORATED, HARRISBURG, PA. ALL INTERNATIONAL RIGHTS RESERVED. AMP PRODUCTS MAY BE COVERED BY U.S. AND FOREIGN PATENT AND/OR PATENT PENDING.

TOLLERANZE SE NON DIVERSAMENTE SPECIFICATE (TOLERANCES UNLESS OTHERWISE SPECIFIED)	DIAM. ISOLANTE (INS. DIA. RANGE)	RANGO FILO (WIRE RANGE)	SCALA (SCALE)
± 0.3	-	-	-

ANGOLI (ANGLES) ± 2°

DISEG. C. CORDOLA (DATE) 02-09-92

AMP AMP ITALIA S.p.A.
Corso F.lli Corvi, 15
COLLENO (TORINO)

DESCRIZIONE (DESCRIPTION) KEYING PLUG PIN
FOR CONTACT SIZE 16/12

LOC. SIZE NUMBER (DWG NO)	REV.	FOGLIO (SHEET)
IA4C-183047A	1	DI 1

DISTRIBUZIONE (PRINT DIST.)	A	RELEASED FOR PROD. ET00-0068-55	APP. DATA (DATE)	DIS. DATA (DATE)
	○	FIRST ISSUE	C.C. 02-09-92	C.C. 02-09-92
		REVISIONI (REVISION RECORD)		