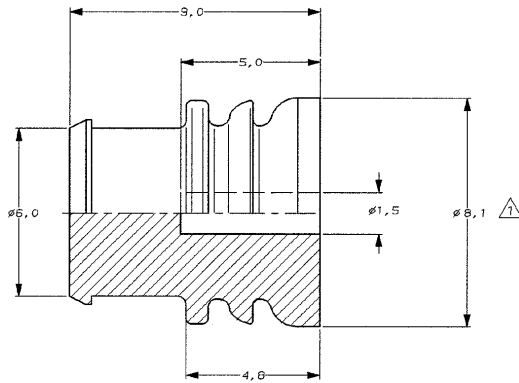


DO NOT SCALE  
DIMENSIONS IN mm

METRIC



NOTES

△ FOR CAVITY  $\varnothing 7,2$  mm.

2 MATERIAL: SILICON RUBBER

SHORE: A  $50^{\circ} \pm 5$

SURFACE: DRY WITH TALCUM POWDER

COLOR: BLACK

-1 AS SHOWN

FINISH		MATERIAL		PARTNUMBER	
-	-	-	-	CUSTOMER DRAWING FOR REFERENCE ONLY WILL NOT BE UPDATED	
-	-	-	-	© COPYRIGHT 19- BY AMP HOLLAND B.V. ALL INTERNATIONAL RIGHTS RESERVED. AMP PRODUCTS MAY BE COVERED BY U.S. AND FOREIGN AND/OR PATENTS PENDING.	
-	-	-	-	THIS DRAWING IS UNPUBLISHED	
-	-	-	-	RELEASED FOR PUBLICATION	
-	-	-	-	AMP HOLLAND B.V. 's-Hertogenbosch, The Netherlands.	
A	EH-1393-96	JJ	JJ	28.11.86	NAME
0	H-9765	LvdH	RotB	13MA192	CAVITY PLUG
LTR.	REVISION RECORD	DR.	CHK.	DATE	
DR.	CHK.	APP.		DWG. No.	REV. LTR. SHEET
DATE:	DATE:	DATE:		100132	A 1 OF 1

8	7	6	5	4	3	2	1
---	---	---	---	---	---	---	---

RS-126 (REV. 04-91)