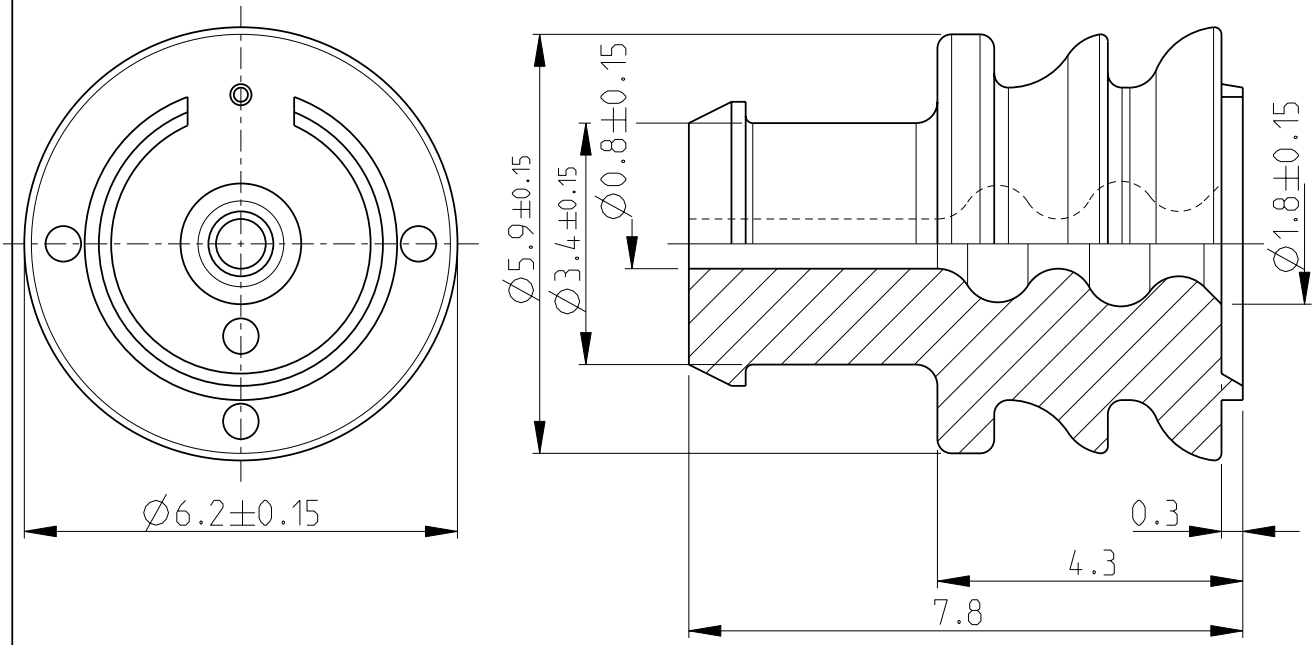


LOC	DIST	REVISIONS					
A1	-	P	LTR	DESCRIPTION	DATE	DWN	APVD
		M6		EG00-1904-02	17JUN2002	SG	RJ
		M7		Drawing updated	05MAR2009	Haas	Goep.



BEMERKUNGEN  
NOTES

- 1 Einzelheiten der Ausfuehrung bleiben dem hersteller ueberlassen  
DETAILS OF DESIGN ARE LEFT TO MANUFACTURER
- 2 Passend fuer Drahtgroessenbereich: 0.35-1mm<sup>2</sup>  
SUITABLE FOR WIRE SIZE RANGE:
- 3 Passend fuer Isolationsdurchmesser: 1.2-2mm  
SUITABLE FOR INSULATION DIAMETER:
- 4 Bestueckungshilfe fuer Einzelleiterabdichtung siehe: TE: 965702  
INSERTER FOR SINGLE WIRE SEAL SEE:
- 6 Keine Luftloecher zulaessig  
NO AIR BUBBLES PERMITTED



1:1

PART NO.	REV.	COLOUR	MATERIAL
828920-2	M	DARK BLUE	VMQ-50, SILICON OIL FREE
828920-1	M	GREY	VMQ-50, 50% SELF-LUBRICATING

RELEASED FOR PUBLICATION 2009

THIS DRAWING IS UNPUBLISHED.

COPYRIGHT 2009 BY TYCO ELECTRONICS CORPORATION. ALL RIGHTS RESERVED.

DIMENSIONS: mm	DWN	17APR1997	MATERIAL	SEE TABLE	FINISH	-
	CHK	21APR1997	Tyco Electronics AMP GmbH 64625 Bensheim (Germany)			
TOLERANCES UNLESS OTHERWISE SPECIFIED: DIN 16901-160	APVD	-				
0 PLC ±	PRODUCT SPEC	108-18263-1	NAME RUBBER PLUG DIA. 2,5mm SYSTEM 0.35-1 SQUARE MILLIMETER FLK <sub>r</sub>			
1 PLC ±	APPLICATION SPEC	114-18031	SIZE	CAGE CODE	DRAWING NO	RESTRICTED TO
2 PLC ±	WEIGHT	-	A 4	00779	©=828920	-
3 PLC ±	CUSTOMER DRAWING					
4 PLC ±	SCALE			10:1	SHEET 1 OF 1	
ANGLES ±°						REV M7