

4

3

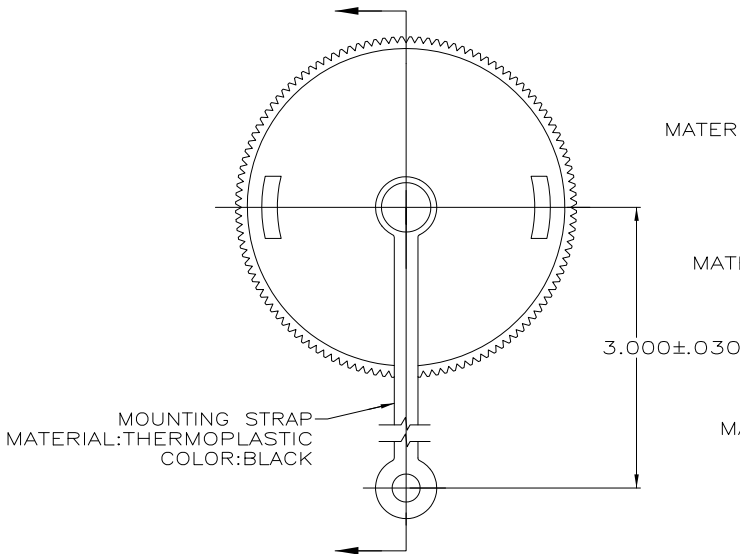
2

1

THIS DRAWING IS UNPUBLISHED. RELEASED FOR PUBLICATION
 © COPYRIGHT - By - ALL RIGHTS RESERVED.

LOC	DIST	REVISIONS			
P	LTR	DESCRIPTION	DATE	DWN	APVD
BD	35	G3	REVISED PER ECO-11-004917	11MAR11	RK HMR

- 1 FINISH: ZINC PLATE WITH CLEAR CHROMATE
- 2 FINISH: ZINC PLATE WITH NON-HEXAVALENT CHROMATE

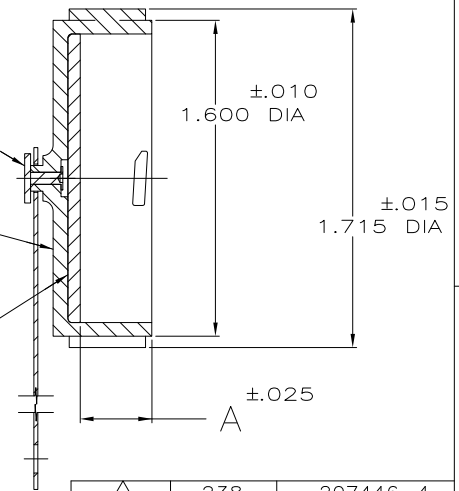


MATERIAL: CARBON RIVET
STEEL

1 2

SEALING CAP
MATERIAL: THERMOPLASTIC
COLOR: BLACK

SEALING GASKET
MATERIAL: ELASTOMER
COLOR: BLACK



2	.238	207446-4
2	.363	207446-3
1	.238	207446-2
1	.363	207446-1
FINISH	A	PART NUMBER

SUPERCEDED BY 207446-4
 SUPERCEDED BY 207446-3

DIMENSIONS:		TOLERANCES UNLESS OTHERWISE SPECIFIED:		DWN		TE Connectivity	
INCHES		0 PLC	± -	S. RIDGLEY	BG	8/1/90	
INCHES		1 PLC	± -	CHK		4-26-91	
INCHES		2 PLC	± -	APVD	R. STONE	4-30-91	
INCHES		3 PLC	± .005	NAME	K. BEAVER	4-30-91	
INCHES		4 PLC	± -	PRODUCT SPEC			
INCHES		ANGLES	± -	APPLICATION SPEC			
MATERIAL		FINISH		SIZE	CAGE CODE	DRAWING NO	RESTRICTED TO
SEE CALLOUTS		SEE CALLOUTS		WEIGHT	A3	00779	C-207446
CUSTOMER DRAWING				SCALE	2:1	SHEET	1 of 1
				REV	G3		