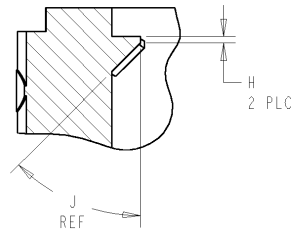
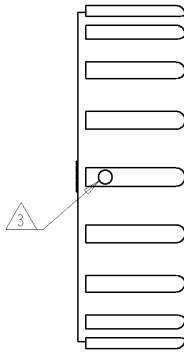
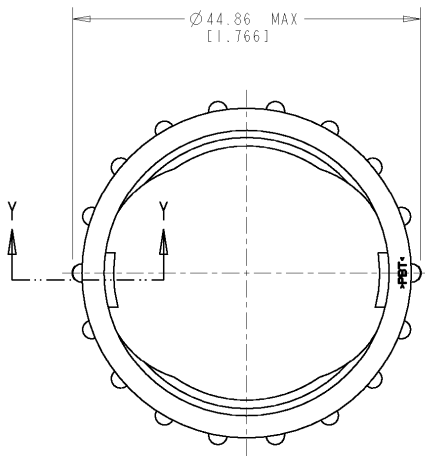
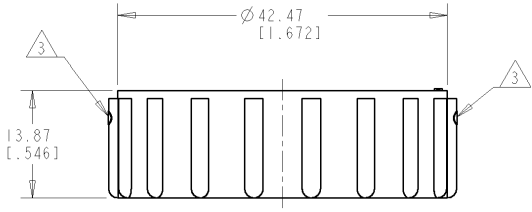


THIS DRAWING IS UNPUBLISHED. RELEASED FOR PUBLICATION  
 © COPYRIGHT 19 BY TYCO ELECTRONICS CORPORATION. ALL RIGHTS RESERVED.

LOC	DIST	REVISIONS				
P	LTR	DESCRIPTION	DATE	DWN	APVD	
B		REVISED PER EC 063B-0034-99	11OCT99	SW	MC	
C		REVISED EC 063B-0343-00	28JUL2000	SW	MC	
D		REVISED EC 063B-0124-02	08AUG2003	SW	SH	
E		REVISED EC 063B-0025-05	13JAN2005	SW	HW	



SECTION Y-Y  
SCALE 6:1



PRELIMINARY	45°	0.28[.011]	↑	213812-3
	-	-	↑	213812-2
	-	-	↑	213812-1
J	H	MATERIAL		PART NUMBER

- 1 POLYESTER, BLACK.
- 2 NYLON 6/6, NATURAL.
- 3 ALIGNMENT DOT INK STAMPED ON BOTH SIDES IN APPROXIMATE AREA SHOWN.

<small>THIS DRAWING IS A CONTROLLED DOCUMENT FOR AMP ELECTRONICS CORPORATION. IT IS SUBJECT TO CHANGE AND THE CONTROLLING ENGINEERING ORGANIZATION SHOULD BE CONTACTED FOR THE LATEST REVISION.</small>		DWN C DORWART 220CT98 CHR K DOWHOWER 220CT98 APVD K DOWHOWER 220CT98	<b>AMP</b> Incorporated Harrisburg, PA 17105-3608
DIMENSIONS: mm [INCHES]	TOLERANCES UNLESS OTHERWISE SPECIFIED: 0 PLC ± 1 PLC ± 2 PLC ±0.25(.010) 3 PLC ± 4 PLC ± ANGLES ±	NAME COUPLING RING, SIZE 23, CPC	
MATERIAL -	FINISH -	SIZE A3 CAGE CODE 00779 DRAWING NO G-213812	RESTRICTED TO -
SEE TABLE		CUSTOMER DRAWING	SCALE 2:1 SHEET 1 OF 1 REV E